

**TWO WAY NORMALLY CLOSED
 SERVOASSISTED DIAPHRAGM
 SOLENOID VALVE**

L03

DESCRIPTION **DIMENSIONS mm**



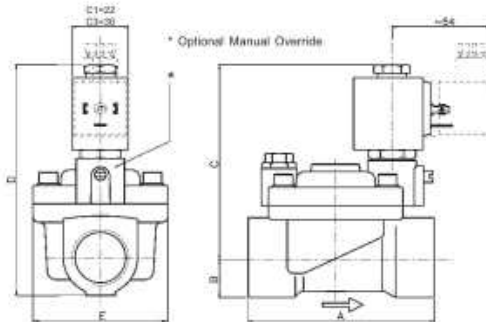
Two way normally closed servoassisted diaphragm solenoid valve.

Suitable for gaseous and liquid media compatible with the (body/seals) material used.

Adjustable valve closing regulator to reduce water hammer available for size 1 1/4, 1 1/2 and 2".

Forged brass body and cover. Stainless steel guide tube, springs and internal parts.

Solenoid can be rotated 360°. Valve will operate in any position, preferably with vertical coil upwards.

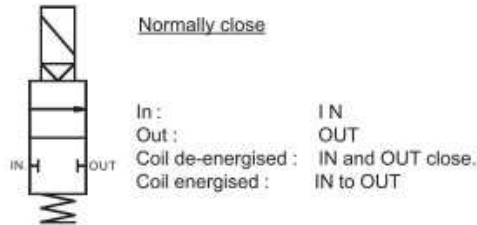


PORT SIZE	DIMENSIONS IN millimeters (mm)				
	A	B	C	D	E
3/8"	64	14	87	101	45
1/2"	64	14	87	101	45
3/4"	82	17	96	113	55
1"	100	20	103	123	70
1 1/4"	134	28	110	138	98
1 1/2"	134	28	110	138	98
2"	152	35	121	156	120

ELETTRICAL INFORMATION **OPERATION**

Continuous duty glass-reinforced nylon moulded coil with electrical connection suitable for DIN-43650 plug (2 poles+ground) or faston wire terminal. Two cables available on request.

Coil type: C1 / C3
 Insulation class: F (155°C), H (180°C) on request.
 Winding wire class: H (180°C)
 Protection class: Waterproof IP-65 (norme EN60529) when properly plug connctted when DIN-43650 plug.
 Duty: Continuous (S.I.) 100% ED
 Power consumption: C1 Alternate Current 8VA (inrush 12VA)
 Direct Current 5.5W
 C3 Alternate Current 13VA (inrush 20VA)
 Direct Current 8W
 Voltage tolerance: a.c. +10% + -15%, d.c. +10% + -5%
 Electrical Insulation: >500 MOhm
 Dielectrical Strenght: >2000 V/1"
 Standard voltage: d.c. 12, 24 Volt
 a.c. 24, 110, 230 Volt (50/60 Hz)
 other voltages available on request.



SPECIFICATIONS AND AVAILABLE OPTIONS

MODEL	ORIFICE mm	PRESSURES IN BAR							Flow factor kv (l/min.)	WEIGHT Kg.	
		BODY RATING	MIN./MAX. DIFFERENTIAL PRESSURE			Coil TYPE	POWER				
			MIN.	MAX. NORM. CLOSED AC~	DC=		VA inrush	W AC~ hold			W DC=
L 03 D 13	12,7	25	0,15	18	16	C1	12	8	5,5	35	0,49
L 03 E 13	12,7	25	0,15	18	16	C1	12	8	5,5	40	0,47
L 03 F 19	19	25	0,15	16	13	C1	12	8	5,5	90	0,74
L 03 G 25	25	25	0,15	12	10	C1	12	8	5,5	176	1,20
L 03 H 37	37	20	0,15	10	10	C3	20	13	8	300	3,05
L 03 I 37	37	20	0,15	10	10	C3	20	13	8	350	2,70
L 03 L 50	50	20	0,15	10	10	C3	20	13	8	600	4,61

a Construction	b Valve type	c Port size	d Seals material	e Body material	f Optional feature
A AC C DC B Latching pilots * * available only from 3/8" to 1" valves.	L 2 way N.C.	D 3/8" GAS N 3/8" NPT E 1/2" GAS O 1/2" NPT F 3/4" GAS Q 3/4" NPT G 1" GAS R 1" NPT H 1 1/4 GAS I 1 1/2 GAS L 1 1/2 NPT L 2" GAS V 2" NPT NPT part available only on request	B NBR V VITON E EPDM W EPM WT PX * * RTW certified for food	T Brass N Nickel-plated brass I Stainless steel * * available only for 1/2" and 3/4" valves.	M Manual override SG Clean for oxigene

**TWO WAY NORMALLY OPEN
 SERVOASSISTED DIAPHRAGM
 SOLENOID VALVE**

N03

DESCRIPTION **DIMENSIONS mm**



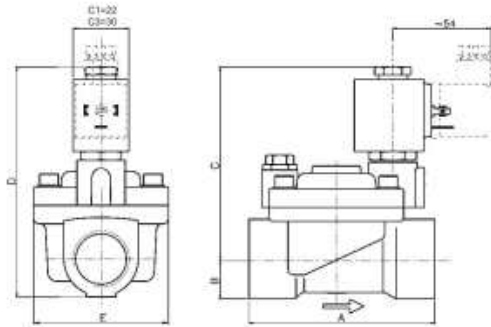
Two way normally open servo-assisted diaphragm solenoid valve.

Suitable for gaseous and liquid media compatible with the (body/seals) material used.

Adjustable valve closing regulator to reduce water hammer available for size 1" 1/4, 1" 1/2 and 2".

Forged brass body and cover.
 Brass guide tube.
 Stainless steel internal parts.
 Stainless steel springs.

Solenoid can be rotated 360°.
 Valve will operate in any position, preferably with vertical coil upwards.

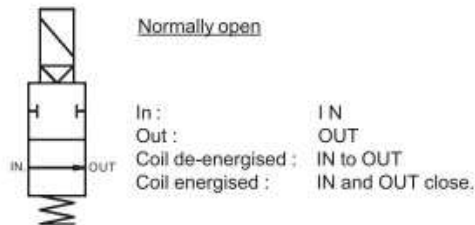


PORT SIZE	DIMENSIONS IN millimeters (mm)				
	A	B	C	D	E
3/8"	64	14	87	101	45
1/2"	64	14	87	101	45
3/4"	82	17	96	113	55
1"	100	20	103	123	70
1" 1/4	134	28	110	138	98
1" 1/2	134	28	110	138	98
2"	152	35	121	156	120

ELECTRICAL INFORMATION **OPERATION**

Continuous duty glass-reinforced nylon moulded coil with electrical connection suitable for DIN-43650 plug (2 poles+ground) or faston wire terminal. Two cables available on request.

Coil type: C1 / C3
 Insulation class: F (155°C), H (180°C) on request.
 Winding wire class: H (180°C)
 Protection class: Waterproof IP-65 (norme EN60529) when properly plug connected when DIN-43650 plug.
 Continuous (S.I.) 100% ED
 Duty:
 Power consumption: C1 Alternate Current 8VA (inrush 12VA)
 Direct Current 5.5W
 C3 Alternate Current 13VA (inrush 20VA)
 Direct Current 8W
 Voltage tolerance: a.c. +10% + -15%, d.c. +10% + -5%
 Electrical Insulation: >500 MOhm
 Dielectrical Strength: >2000 V/1"
 Standard voltage: d.c. 12, 24 Volt
 a.c. 24, 110, 230 Volt (50/60 Hz)
 other voltages available on request.



SPECIFICATIONS AND AVAILABLE OPTIONS

MODEL			ORIFICE mm	PRESSURES IN BAR				POWER			Flow factor kv (l/min.)	WEIGHT Kg.	
				BODY RATING	MIN./MAX. DIFFERENTIAL PRESSURE		Coil TYPE	VA		W DC=			
a b	c d	e f	MIN.		MAX. NORM. CLOSED AC=	DC=		inrush	hold				
N 03 D	13		12,7	25	0,15	16	10	C1	12	8	5,5	35	0,49
N 03 E	13		12,7	25	0,15	16	10	C1	12	8	5,5	40	0,47
N 03 F	19		19	25	0,15	12	10	C1	12	8	5,5	90	0,74
N 03 G	25		25	25	0,15	9	5	C1	12	8	5,5	176	1,20
N 03 H	37		37	20	0,15	10	10	C3	20	13	8	300	3,05
N 03 I	37		37	20	0,15	10	10	C3	20	13	8	350	2,70
N 03 L	50		50	20	0,15	10	10	C3	20	13	8	600	4,61

a	b	c	d	e	f
Construction	Valve type	Port size	Seals material	Body material	Optional feature
A AC C DC	N 2 way N.O.	D 3/8" GAS N 3/8" NPT E 1/2" GAS O 1/2" NPT F 3/4" GAS Q 3/4" NPT G 1" GAS R 1" NPT H 1" 1/4 GAS I 1" 1/2 GAS T 1" 1/2 NPT L 2" GAS V 2" NPT <small>NPT port available only on request</small>	B NBR V VITON E EPDM W EPM WT PX* <small>* KTW certified for food</small>	T Brass N Nickel-plated brass	SG Clean for oxygene

