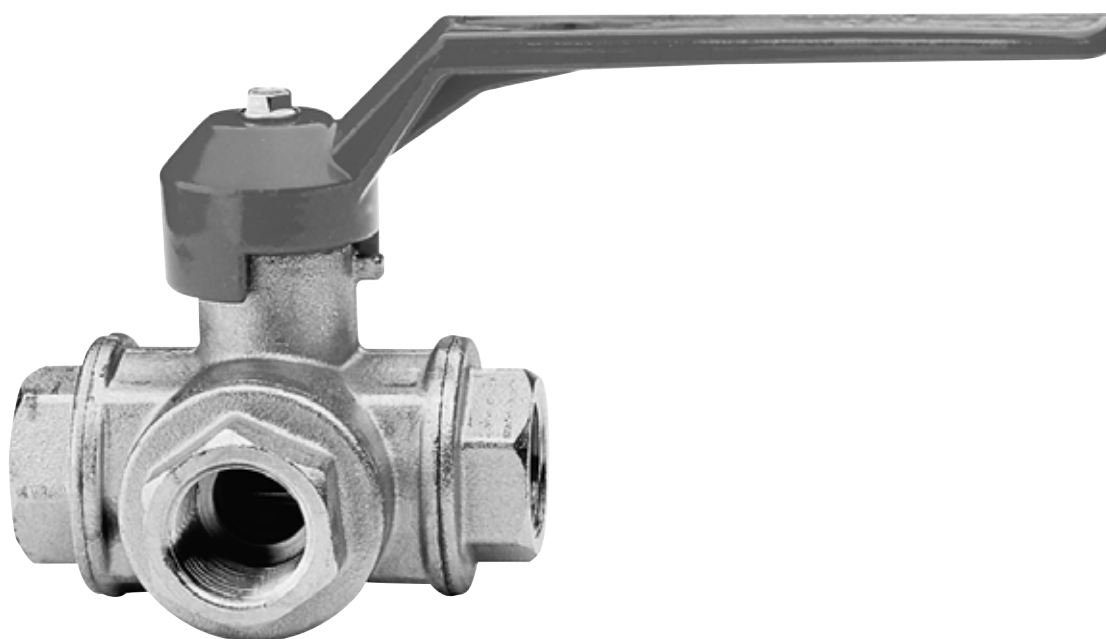


A-2512 TRIBUSWINKEL, WERKSGASSE 7

TELEFON: +43-(0) 2252 90 82 60 TELEFAX: +43-(0) 2252 90 82 61
Internet: www.klepp.at e-mail: office@klepp.at

klepp & Co
ARMATUREN Handels-GmbH



TECHNICAL CATALOGUE

3-WAY BALL VALVE
ART. 128

3-WAY BALL VALVE

SUITABLE FOR DOMESTIC
WATER SERVICES, HEATING, AIR-
CONDITIONING PLANTS AND
COMPRESSED AIR SYSTEMS.

128

3-WAY BALL VALVE



SIZE	PRESSURE	CODE	PACKING
1/4" (DN 8)	55bar/797,5psi	1280014L/T	4/32
3/8" (DN 10)	55bar/797,5psi	1280038L/T	4/32
1/2" (DN 15)	50bar/725psi	1280012L/T	4/32
3/4" (DN 20)	50bar/725psi	1280034L/T	2/16
1" (DN 25)	45bar/652,5psi	1280100L/T	2/16
1"1/4 (DN 32)	35bar/507,5psi	1280114L/T	2/12
1"1/2 (DN 40)	35bar/507,5psi	1280112L/T	2/8
2" (DN 50)	35bar/507,5psi	1280200L/T	2/4

TECHNICAL SPECIFICATIONS

Female/female/female threads.

Lever handle in aluminium.

Body in nickel-plated brass.

Minimum and maximum working temperatures:

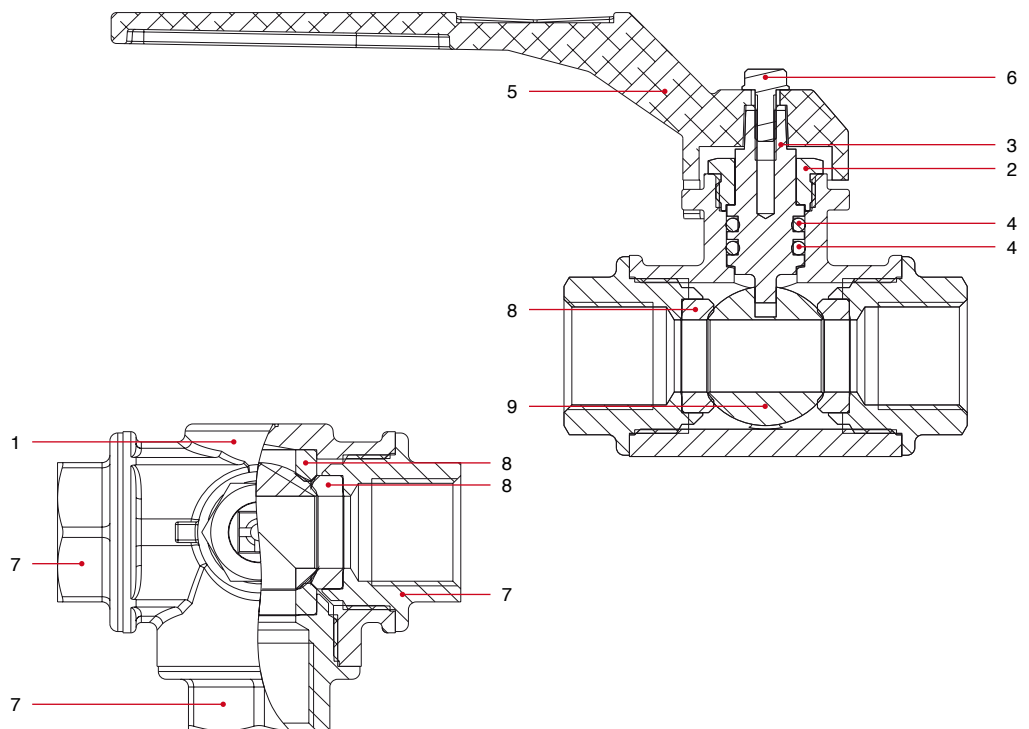
-20°C, 150°C in absence of steam.

Threads ISO228

(equivalent to DIN EN ISO 228 and BS EN ISO 228).

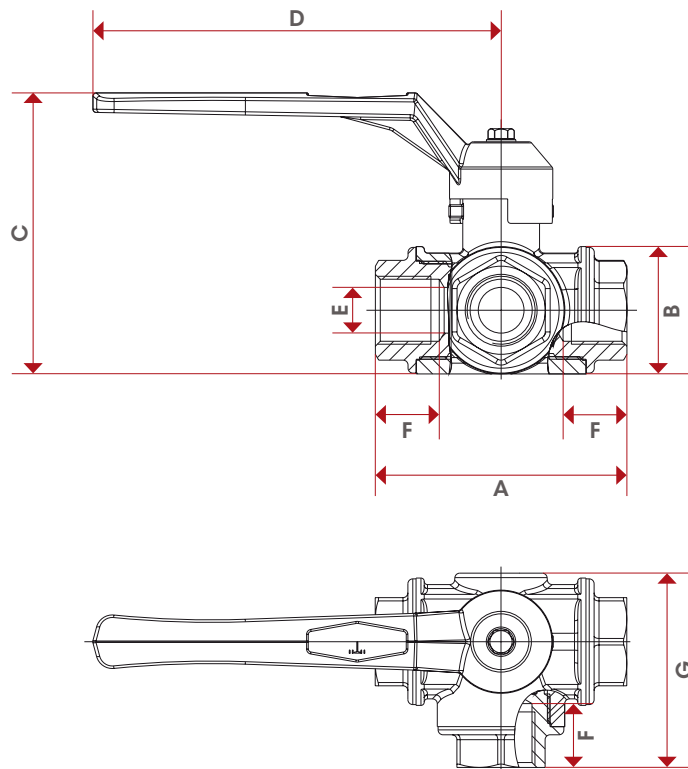
Available with T or L ball.

MATERIALS



POS.	DESCRIPTION	N.	MATERIAL
1	Body	1	Nickel-plated brass CW617N
2	Packing gland	1	Brass CW614N
3	Stem	1	Brass CW614N
4	O-Ring	2	NBR
5	Lever handle	1	Aluminium EN AB 46100
6	Screw	1	Steel
7	End adapter	3	Nickel-plated brass CW617N
8	Seat	4	P.T.F.E.
9	Ball	1	Chrome-plated brass CW617N

OVERALL DIMENSIONS



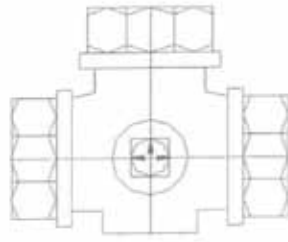
	1/4"	3/8"	1/2"	3/4"	1"	1"1/4	1"1/2	2"
DN	8	10	15	20	25	32	40	50
A	77	77	77	92	104	118,5	138	162
B	39	39	39	47	54,5	64,5	79	93,5
C	86	86	86	107	122,5	132	145,5	186
D	125	125	125	145	170	170	170	260
E	10	12	14	18	23	29	36	45
F	19	19	19	23	25	27	31	36
G	59,5	59,5	59,5	70,5	81	93	108	128
Kg/cm ² bar	55	55	50	50	45	35	35	35
LBS - psi	797,5	797,5	725	725	652,5	507,5	507,5	507,5

CERTIFICATIONS

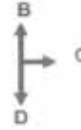


INSTALLATION

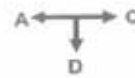
T valve operation: with the handle disassembled is visible, on the stem, a T mark, which indicates the running direction of the ball's holes, allowing the following combinations:



The flow go in all directions (A-B-C)



The flow go only from B to C (or vice versa)

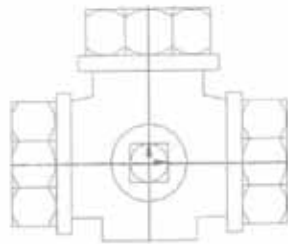


The flow go only from A to C (or vice versa)



The flow go only from A to B (or vice versa)

L valve operation: with the handle disassembled is visible, on the stem, a L mark, which indicates the running direction of the ball's holes, allowing the following combinations:



The flow go from B to C (or vice versa)



The flow is stopped



The flow is stopped

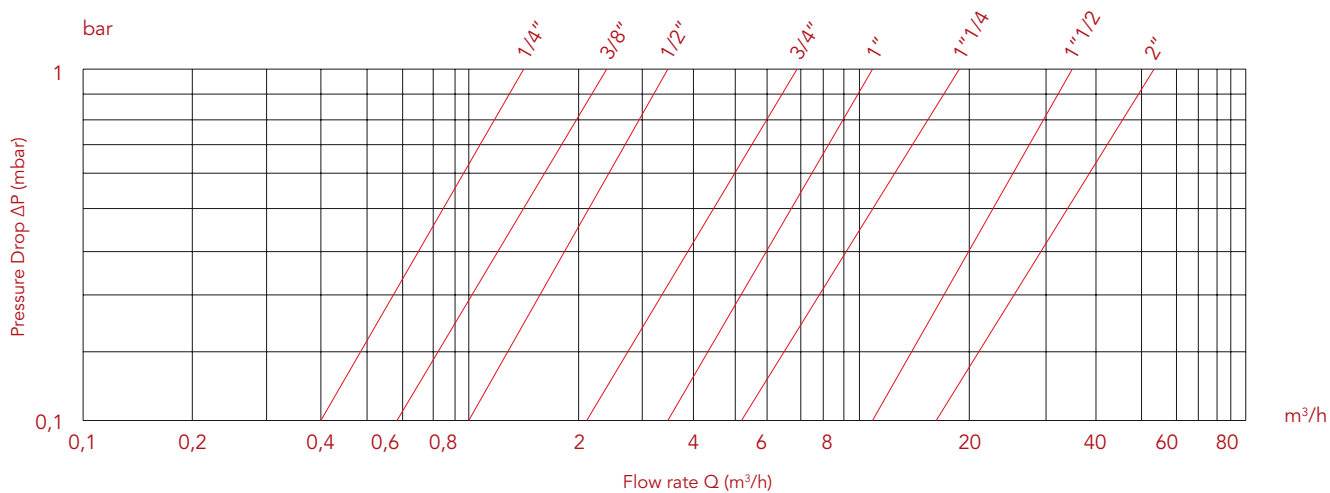


The flow go from A to B (or vice versa)

FLOW RATE AND PRESSURE DROP CHART

WITH WATER

Art: 128



SIZE	1/4"	3/8"	1/2"	3/4"	1"	1 1/4"	1 1/2"	2"
Kv	1,5	2,5	3,5	7	12	19,5	37	52

Art. 128