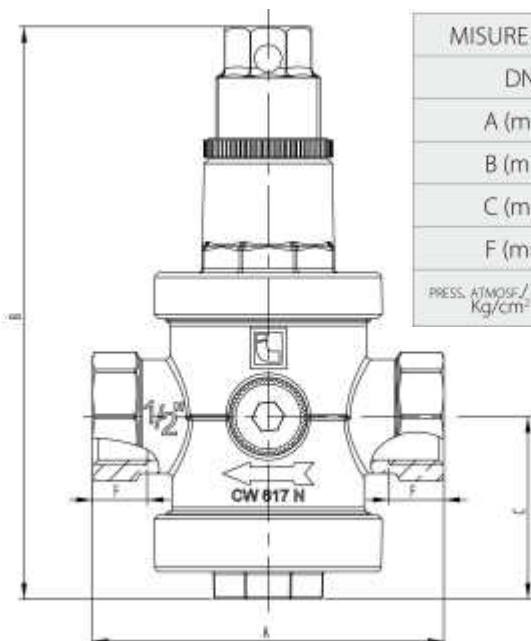


Druckminderer DR143

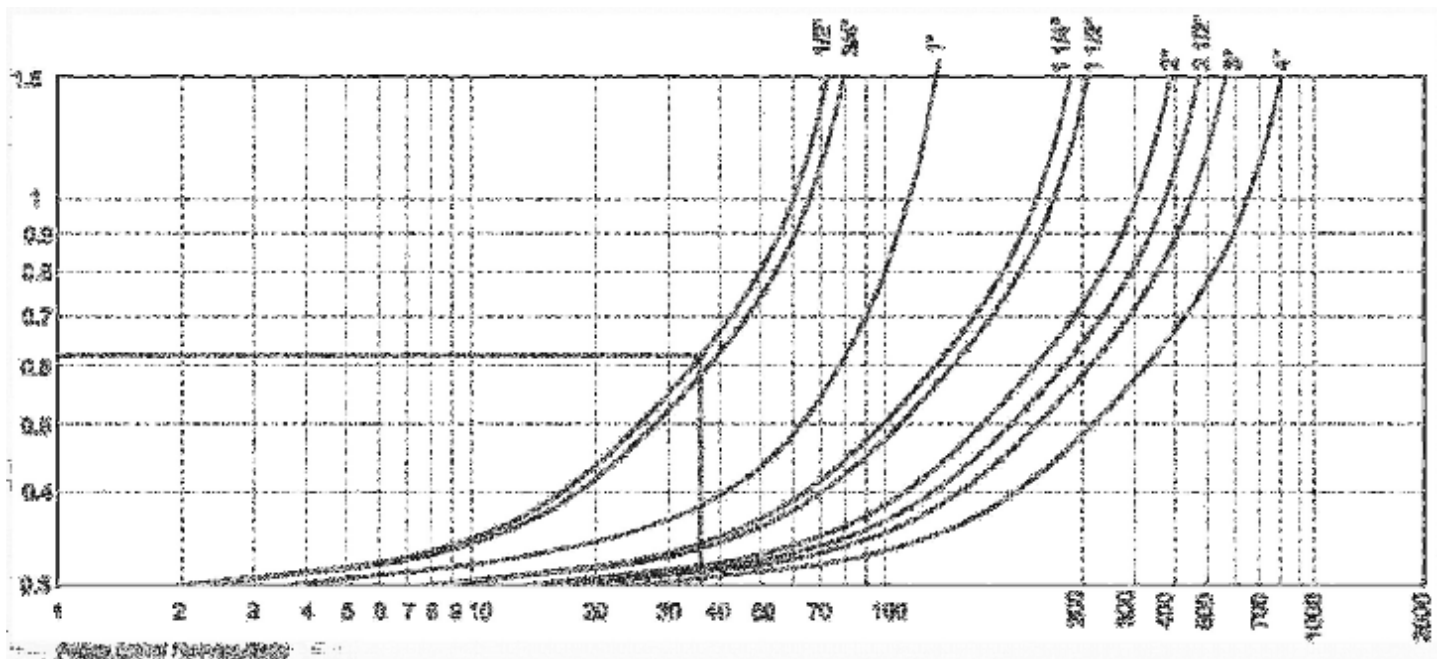


TECHNISCHE DATEN

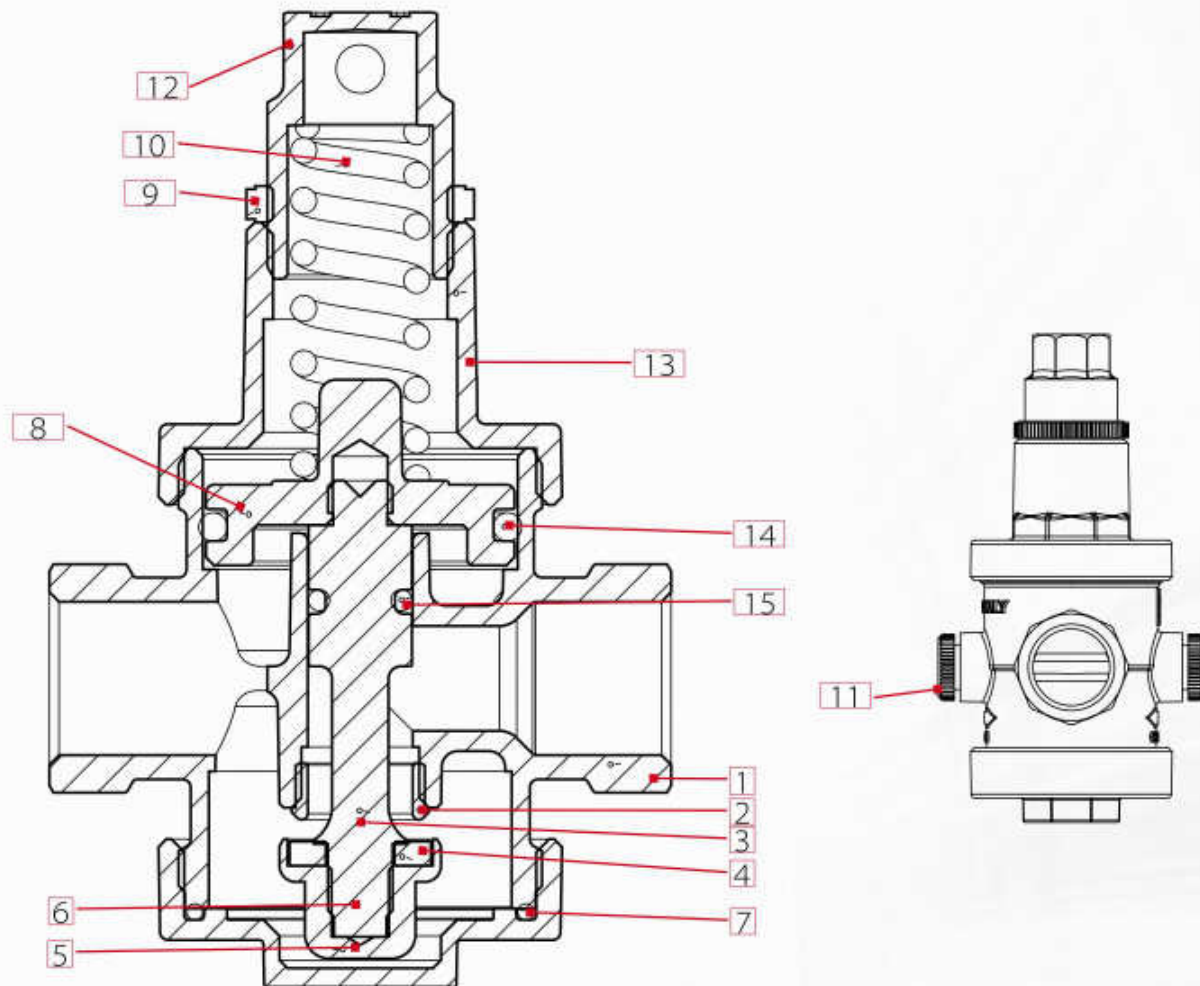
Messing vernickelt
 Betriebstemperatur: 0°C - +80°C
 Gewinde: ISO 228
 Max. Druck: 25 bar
 Einstellbereich: 1 – 6 bar
 Manometeranschluss beidseitig 1/4"



MISURE / SIZE	1/2"	3/4"	1"	1 1/4"	1 1/2"	2"	2 1/2"	3"	4"
DN	15	20	25	32	40	50	65	80	100
A (mm)	77	85	91	118	126	142	147	179	188
B (mm)	125,5	125,5	159	218	225	250	270	290	330
C (mm)	40	40	59	69,5	126	87	88	97,5	104,5
F (mm)	12	12	13	18	18	20	20	22	23,5
PRESS. ATMOSF./ WORK. PRESS. Kg/cm ² - bar	25	25	25	25	25	25	25	25	25

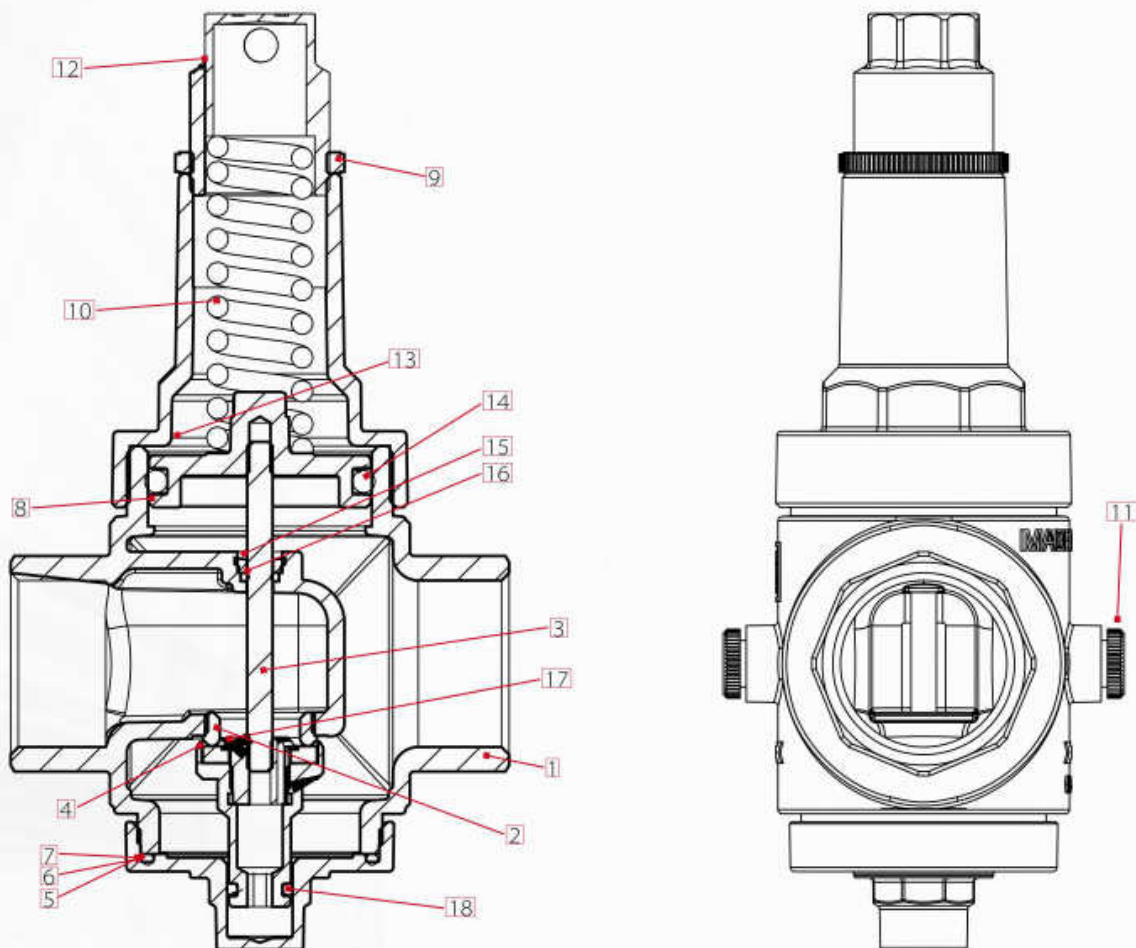


SCHEDA MATERIALI 1/2" - 3/4" - 1" - MATERIALS 1/2" - 3/4" - 1"



POS.	DESCRIZIONE/DESCRIPTION	Q.TÀ/N.	MATERIALE/MATERIAL
1	Corpo / Body	1	Ottone / Brass CW617N
2	Sede / Seat	1	AISI 303
3	Asta / Stem	1	Ottone / Brass CW614N
4	Guarnizione piana / Flat seat washer	1	NBR 70/SH
5	Otturatore / Shutter	1	Ottone / Brass CW614N
6	Tappo inferiore / Inferior plug	1	Ottone / Brass CW617N
7	O-ring / O-ring	1	NBR 70/SH
8	Diaframma / Diaphragm	1	Ottone / Brass CW617N
9	Ghiera / Nut	1	Nylon PA6
10	Molla / Spring	1	EN 10270-1SM
11	Tappo / Cap	2	Nylon PA6
12	Premimolla / Regulator	1	Ottone / Brass CW617N
13	Coperchio superiore / Superior cover	1	Ottone / Brass CW617N
14	O-ring / O-ring	1	NBR 70/SH
15	O-ring / O-ring	1	NBR 70/SH

SCHEDA MATERIALI 1"1/4 - 1"1/2 - 2" - 2"1/2 - 3" - 4" - MATERIALS 1"1/4 - 1"1/2 - 2" - 2"1/2 - 3" - 4"



POS.	DESCRIZIONE/DESCRIPTION	Q.TÀ/N.	MATERIALE/MATERIAL
1	Corpo / Body	1	Ottone / Brass CB7535
2	Sede / Seat	1	AISI 303
3	Asta / Stem	1	AISI 303
4	Guarnizione piana / Flat seat washer	1	NBR 70/SH
5	Otturatore / Shutter	1	Ottone / Brass CW614N
6	Tappo inferiore / Inferior plug	1	Ottone / Brass CW617N
7	O-ring / O-ring	1	NBR 70/SH
8	Diaframma / Diaphragm	1	Ottone / Brass CW617N
9	Ghiera / Nut	1	Nylon PA6
10	Molla / Spring	1	EN 10270-1 SM
11	Tappo / Cap	2	Nylon PA6
12	Premimolla / Regulator	1	Ottone / Brass CW617N
13	Coperchio superiore / Superior cover	1	Ottone / Brass CW617N
14	O-ring / O-ring	1	NBR 70/SH
15	Anello ferma o-ring / Stop ring	1	Ottone / Brass CW614N
16	O-ring / O-ring	1	NBR 70/SH
17	Fermo guarnizione / Stop washer	1	Ottone / Brass CW614N
18	O-ring / O-ring	1	NBR 70/SH - classe H3