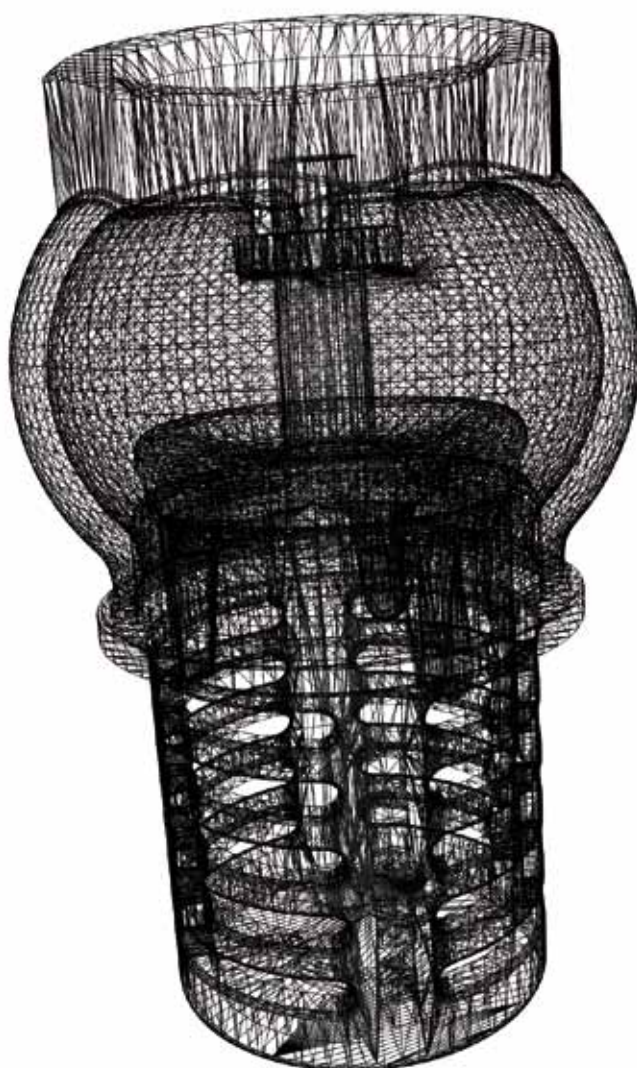


A-2512 TRIBUSWINKEL, WERKSGASSE 7

TELEFON: +43-(0) 2252 90 82 60 FAX: +43-(0) 2252 90 82 61
Internet: www.klepp.at e-mail: office@klepp.at

klepp & Co
A R M A T U R E N Handels - GmbH



TECHNICAL CATALOGUE

FOOT VALVE

140

FOOT VALVE



SIZE	PRESSURE	CODE	PACKING
1/2" (DN 15)	10bar/145psi	1400012	12/156
3/4" (DN 20)	10bar/145psi	1400034	12/96
1" (DN 25)	10bar/145psi	1400100	12/96
1 1/4" (DN 32)	8bar/116psi	1400114	5/60
1 1/2" (DN 40)	8bar/116psi	1400112	3/30
2" (DN 50)	8bar/116psi	1400200	2/26
2 1/2" (DN 65)	6bar/87psi	1400212	1/16
3" (DN 80)	6bar/87psi	1400300	1/8
4" (DN 100)	6bar/87psi	1400400	1/6

TECHNICAL SPECIFICATIONS

Body and strainer in brass.

Strainer washer in fibre.

Plate in brass.

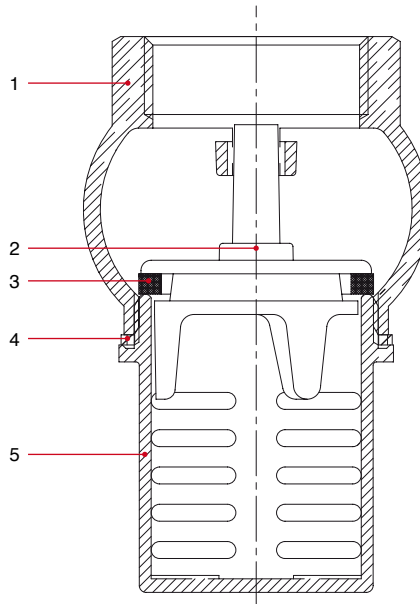
Washer in NBR.

Minimum and maximum working temperatures: 0°C, 90°C.

Thread: ISO228 (equivalent to DIN EN ISO 228 and BS EN ISO 228).

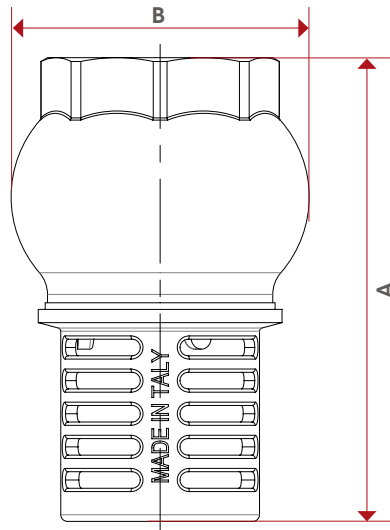
Available also with NPT thread in the sizes 2 1/2", 3" e 4".

MATERIALS



POS.	DESCRIPTION	N.	MATERIAL
1	Body	1	Brass CW617N
2	Plate	1	Brass CW617N
3	Washer	1	NBR
4	Washer	1	Fibre
5	Strainer	1	Brass CB753S

OVERALL
DIMENSIONS



	1/2"	3/4"	1"	1"1/4	1"1/2	2"	2"1/2	3"	4"
DN	15	20	25	32	40	50	65	80	100
A	59,5	70	81	94	101,5	119	139	175	194
B	39	45	51	61	68,5	80	100	121	145
Kg/cm ² bar	10	10	10	8	8	8	6	6	6
LBS - psi	145	145	145	116	116	116	87	87	87