

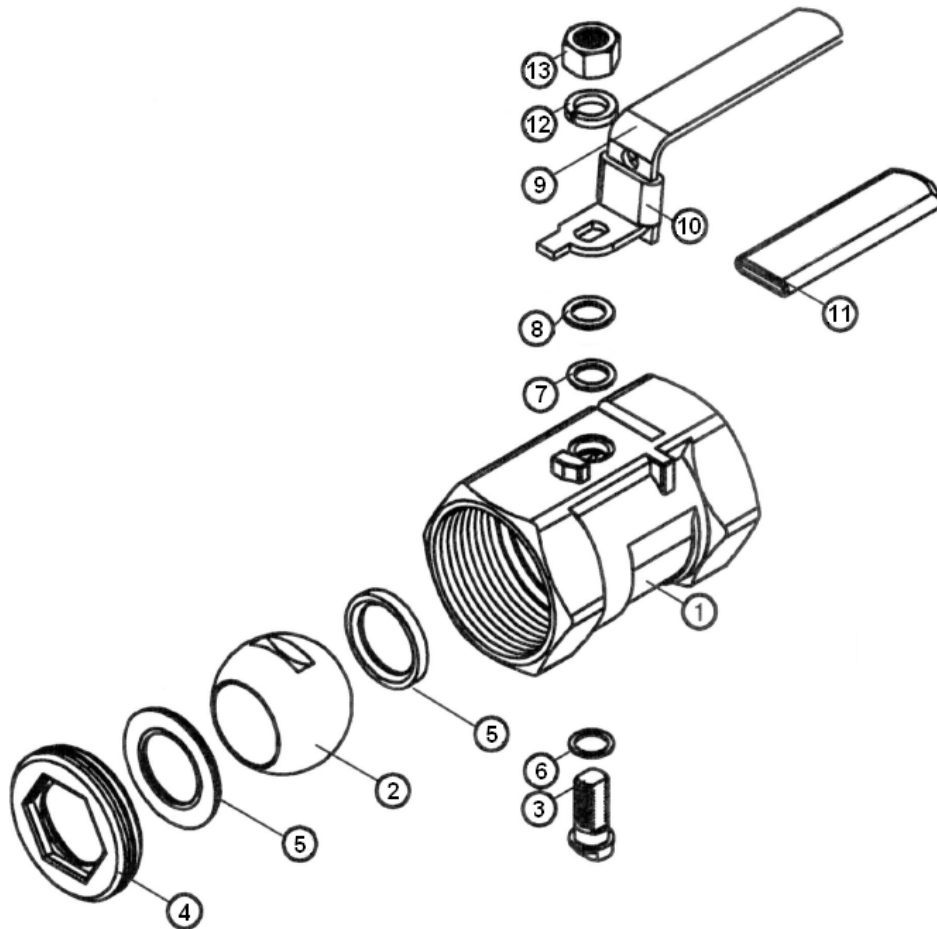
## KHN7111 Edelstahlkugelhahn reduzierter Durchgang



**Size :** DN 1/4" to 2"  
**Ends :** Threaded BSP  
**Min Temperature :** -20°C  
**Max Temperature :** + 180°C  
**Max Pressure :** 50 Bars  
**Specifications :** Anti blow-out stem  
 Locking device  
 1 piece type

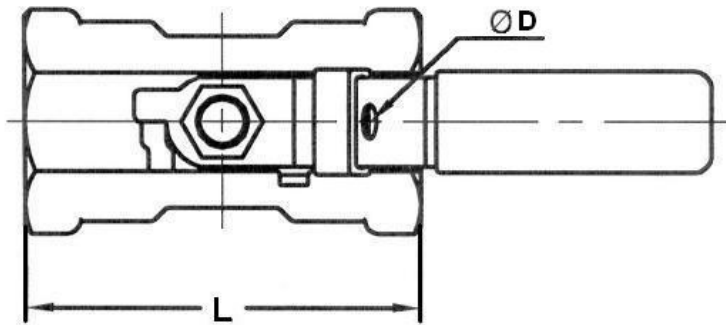
**Materials :** Stainless steel

**MATERIALS :**

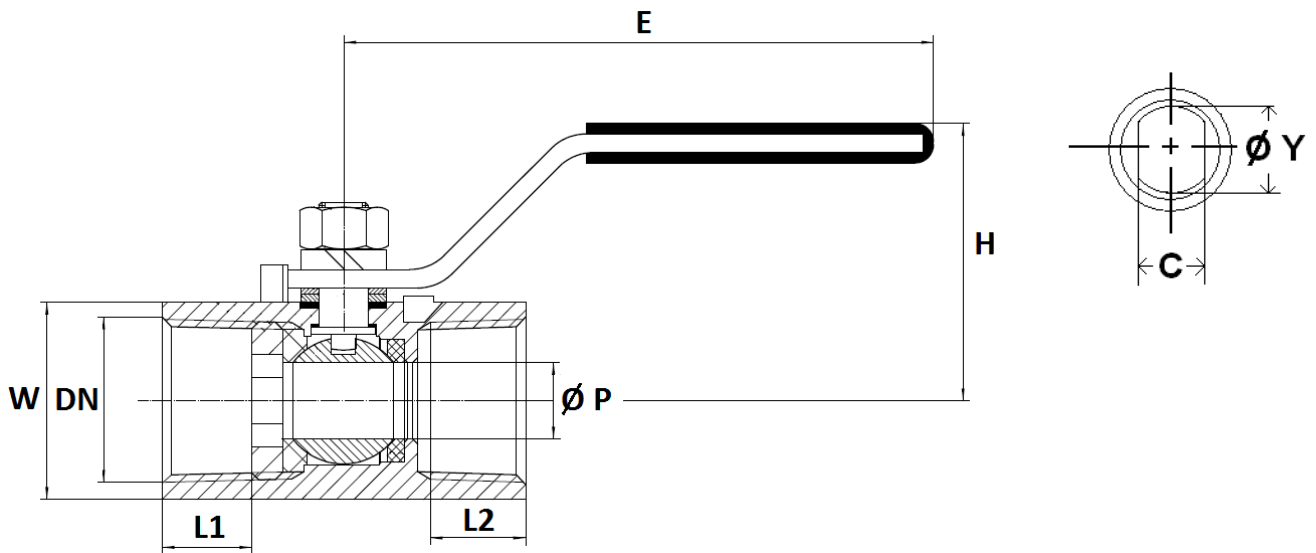


Item	Designation	Materials
1	Body	ASTM A351 CF8M
2	Ball	ASTM A351 CF8M
3	Stem	SS 316
4	Insert	SS 316
5	Seat	PTFE
6	Stem packing	PTFE
7	Thrust washer	PTFE
8	Gland	SS 304
9	Handle	SS 304
10	Locking device	SS 304
11	Handle cover	Plastic
12	Handle washer	SS 304
13	Handle nut	SS 304

SIZE ( in mm ) :



Stem size :



Ref.	DN	1/4"	3/8"	1/2"	3/4"	1"	1"1/4	1"1/2	2"
7111	Ø P	5	6.8	9	12.5	16	20	25	32
	L	39	44	56.5	58.5	71	78	83	100
	Ø D	6	6	8	8	8	8	8	8
	E	65	65	96	96	101	101	135	135
	H	32	35	45	48	56	61	70	76
	L1	9.5	10.5	16	15	17	19	20	23
	L2	9.5	10.5	14	15	17	19	19	23
	W on flat	17	21	25	32	38	48	53	66
	C	3	4	5	5	6	6	8	8
	Ø Y	4,6	6	7	7	9	9	11.5	11.5
Weight (Kg)	0.06	0.1	0.19	0.26	0.41	0.62	0.84	1.33	