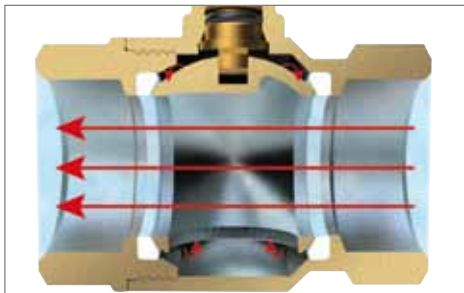


TECHNICAL CATALOGUE

BALL VALVS: GREEN[®]

BALL VALVES: GREEN®



- ECOLOGICAL BALL VALVES IN COMPLIANCE WITH THE NEW EUROPEAN REGULATION FOR DRINKABLE WATER.
- APPROVED IN ACCORDANCE WITH STANDARD **EN 13828** AND CODE OF PRACTICE **DVGW W 570** FOR THE DISTRIBUTION OF WATER INTENDED FOR HUMAN CONSUMPTION.
- EQUIPPED WITH A BALL DESIGNED TO AVOID THE STAGNATION OF WATER AND EVENTUAL PROLIFERATION OF BACTERIA INSIDE THE VALVE.

376

GREEN® BALL VALVE, FULL FLOW

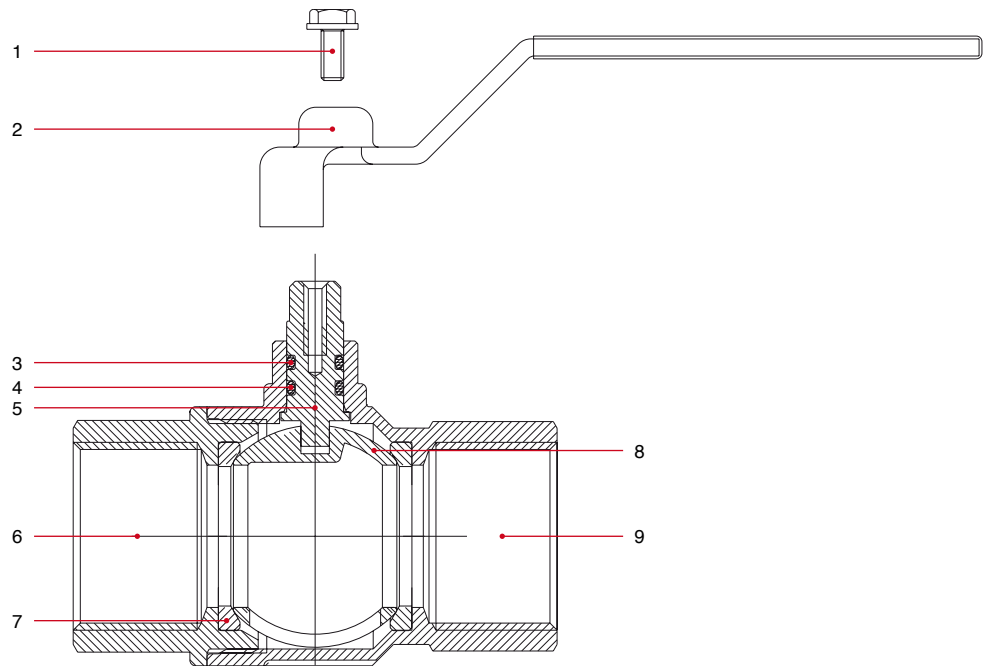


SIZE	PRESSURE	CODE	PACKING
1/4" (DN 8)	50bar/725psi	376B014	12/156
3/8" (DN 10)	50bar/725psi	376B038	12/156
1/2" (DN 15)	50bar/725psi	376B012	10/80
3/4" (DN 20)	40bar/580psi	376B034	8/64
1" (DN 25)	40bar/580psi	376B100	6/48
1"1/4 (DN 32)	30bar/435psi	376B114	4/24
1"1/2 (DN 40)	30bar/435psi	376B112	2/18
2" (DN 50)	25bar/362,5psi	376B200	2/14

TECHNICAL SPECIFICATIONS

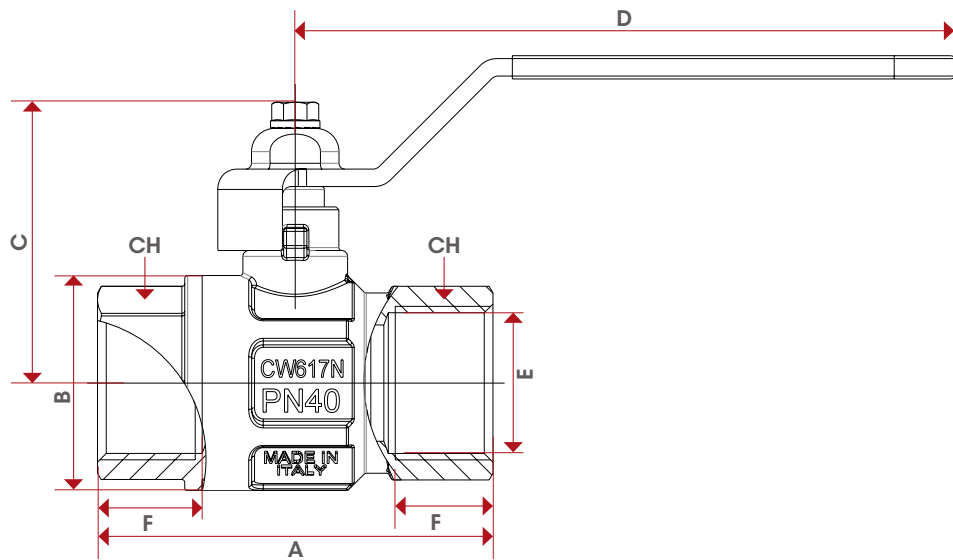
Female/female threads.
 Flat lever handle in lined steel.
 Body in chrome-plated brass.
 Minimum and maximum working temperatures:
 -20°C, 150°C in absence of steam.
 Female threads: ISO 7/1 Rp parallel
 (equivalent to DIN EN 10226-1 and BS EN 10226-1).

MATERIALS



POS.	DESCRIPTION	N.	MATERIAL
1	Screw	1	Zinc-plated steel Fe CB4
2	Flat lever handle	1	Zinc-plated steel Fe.P04
3	O-Ring	1	VITON®
4	O-Ring	1	NBR
5	Stem	1	Brass CW614N
6	End adapter	1	Chrome-plated brass CW617N
7	Seat	2	P.T.F.E.
8	Ball	1	Chrome-plated brass CW617N
9	Body	1	Chrome-plated brass CW617N

OVERALL DIMENSIONS



	1/4"	3/8"	1/2"	3/4"	1"	1 1/4"	1 1/2"	2"
DN	8	10	15	20	25	32	40	50
A	49,5	52,4	61	68	85	99,5	109	130
B	23,5	24	30,5	37	45,5	58	71	85
C	41,8	41,8	50,3	56,3	60,3	76,3	91,8	98,8
D	85,5	85,5	92,5	113,5	113,5	138	158	158
E	10	10	15	20	25	32	40	50
F	11	11,4	15	16,3	19,1	21,4	21,4	25,7
CH	18	21	25	31	38	47	54	66
Kg/cm ² bar	50	50	50	40	40	30	30	25
LBS - psi	725	725	725	580	580	435	435	362,5

CERTIFICATIONS



377

GREEN® BALL VALVE,
FULL FLOW

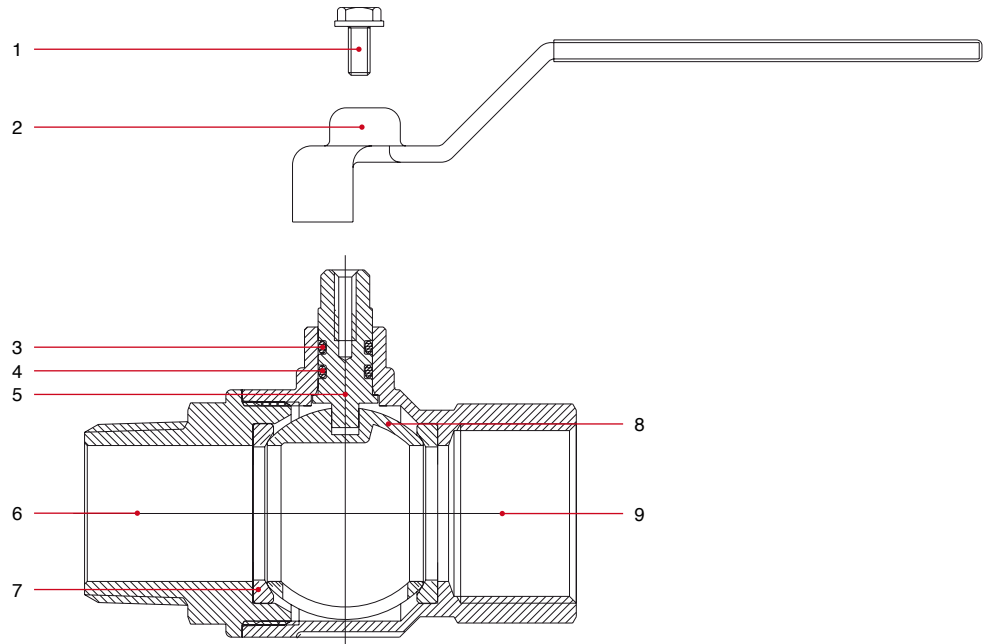


SIZE	PRESSURE	CODE	PACKING
1/4" (DN 8)	50bar/725psi	377B014	12/156
3/8" (DN 10)	50bar/725psi	377B038	12/156
1/2" (DN 15)	50bar/725psi	377B012	10/80
3/4" (DN 20)	40bar/580psi	377B034	8/64
1" (DN 25)	40bar/580psi	377B100	6/48
1"1/4 (DN 32)	30bar/435psi	377B114	4/24
1"1/2 (DN 40)	30bar/435psi	377B112	2/18
2" (DN 50)	25bar/362,5psi	377B200	2/14

TECHNICAL SPECIFICATIONS

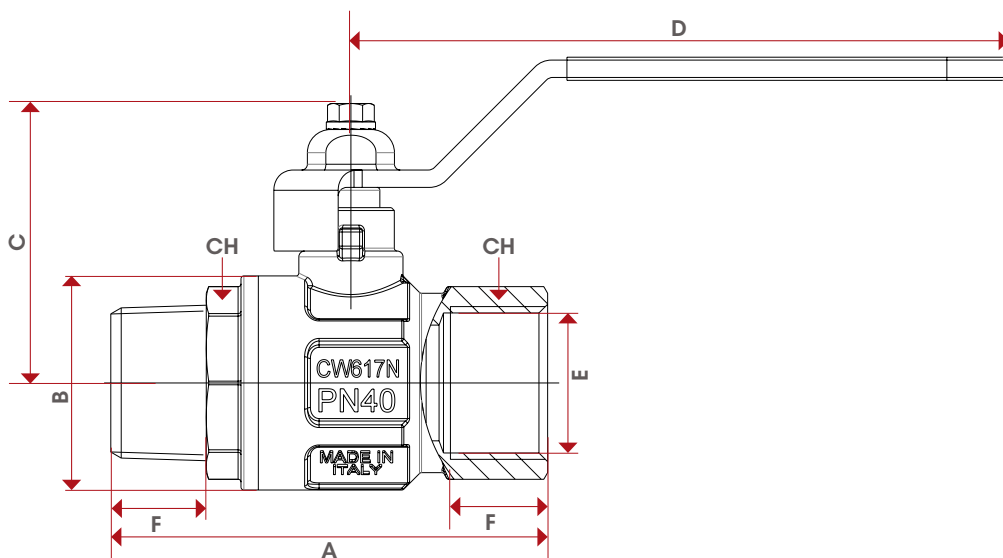
Male/female threads.
Flat lever handle in lined steel.
Body in chrome-plated brass.
Minimum and maximum working temperatures:
-20°C, 150°C in absence of steam.
Female threads: ISO 7/1 Rp parallel
(equivalent to DIN EN 10226-1 and BS EN 10226-1).
Male threads: ISO 7/1 R taper
(equivalent to DIN EN 10226-1 and BS EN 10226-1).

MATERIALS



POS.	DESCRIPTION	N.	MATERIAL
1	Screw	1	Zinc-plated steel Fe CB4
2	Flat lever handle	1	Zinc-plated steel Fe.P04
3	O-Ring	1	VITON®
4	O-Ring	1	NBR
5	Stem	1	Brass CW614N
6	End adapter	1	Chrome-plated brass CW617N
7	Seat	2	P.T.F.E.
8	Ball	1	Chrome-plated brass CW617N
9	Body	1	Chrome-plated brass CW617N

OVERALL DIMENSIONS



	1/4"	3/8"	1/2"	3/4"	1"	1 1/4"	1 1/2"	2"
DN	8	10	15	20	25	32	40	50
A	56,9	58,9	68	75,5	90,5	105	115,5	135,5
B	23,5	24	30,5	37	45,5	58	71	85
C	41,8	41,8	50,3	56,3	60,3	76,3	91,8	98,8
D	85,5	85,5	92,5	113,5	113,5	138	158	158
E	8	10	15	20	25	32	40	50
F	11	11,4	15	16,3	19,1	21,4	21,4	25,7
CH	18	21	25	31	38	47	54	66
Kg/cm ² bar	50	50	50	40	40	30	30	25
LBS - psi	725	725	725	580	580	435	435	362,5

CERTIFICATIONS



378

GREEN® BALL VALVE,
FULL FLOW



SIZE	PRESSURE	CODE	PACKING
1/4" (DN 8)	50bar/725psi	378B014	15/165
3/8" (DN 10)	50bar/725psi	378B038	15/165
1/2" (DN 15)	50bar/725psi	378B012	10/110
3/4" (DN 20)	40bar/580psi	378B034	8/64
1" (DN 25)	40bar/580psi	378B100	6/48

TECHNICAL SPECIFICATIONS

Female/female threads.

T handle in aluminium.

Body in chrome-plated brass.

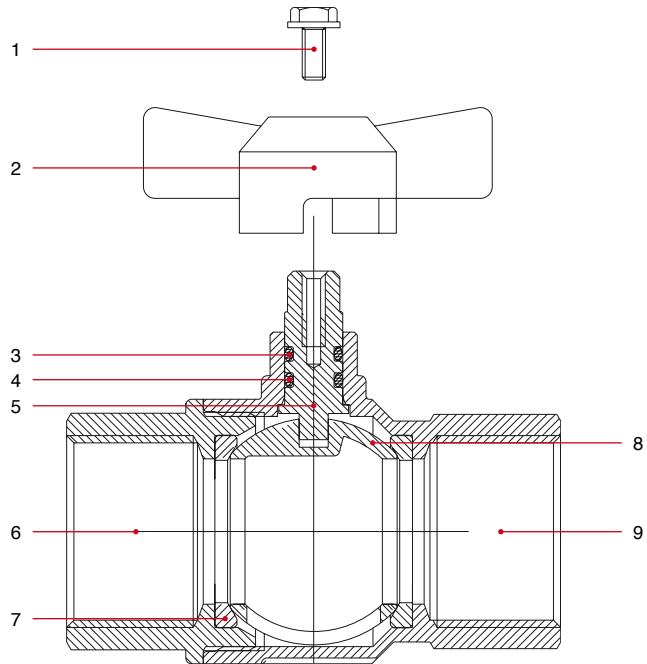
Minimum and maximum working temperatures:

-20°C, 150°C in absence of steam.

Female threads: ISO 7/1 Rp parallel

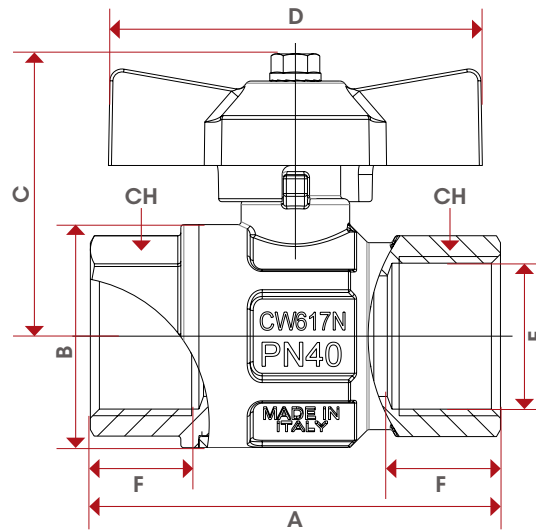
(equivalent to DIN EN 10226-1 and BS EN 10226-1).

MATERIALS



POS.	DESCRIPTION	N.	MATERIAL
1	Screw	1	Zinc-plated steel Fe CB4
2	T handle	1	Aluminium
3	O-Ring	1	VITON®
4	O-Ring	1	NBR
5	Stem	1	Brass CW614N
6	End adapter	1	Chrome-plated brass CW617N
7	Seat	2	P.T.F.E.
8	Ball	1	Chrome-plated brass CW617N
9	Body	1	Chrome-plated brass CW617N

OVERALL DIMENSIONS



	1/4"	3/8"	1/2"	3/4"	1"
DN	8	10	15	20	25
A	49,5	52,4	61	68	85
B	23,5	24	30,5	37	45,5
C	37,3	37,3	43,8	46,8	50,8
D	47	47	54	62	62
E	10	10	15	20	25
F	11	11,4	15	16,3	19,1
CH	18	21	25	31	38
Kg/cm ² bar	50	50	50	40	40
LBS - psi	725	725	725	580	580

CERTIFICATIONS



379

GREEN® BALL VALVE,
FULL FLOW

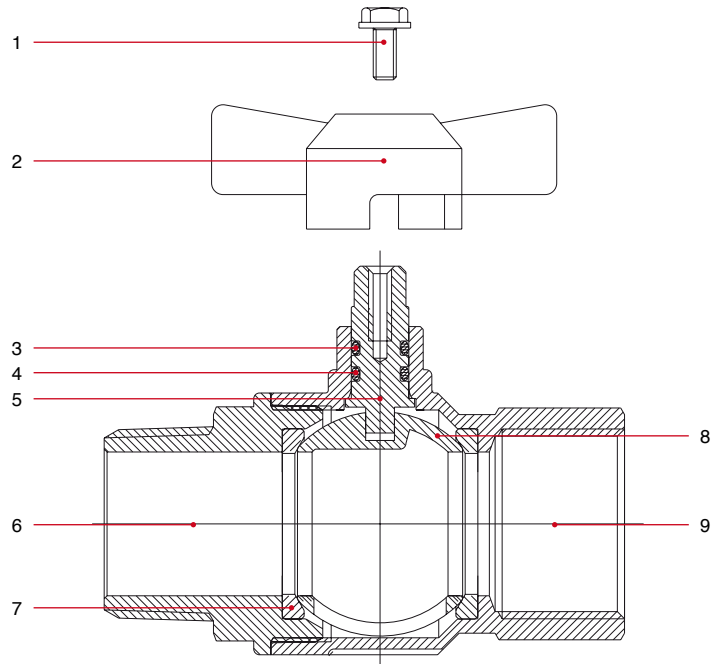


SIZE	PRESSURE	CODE	PACKING
1/4" (DN 8)	50bar/725psi	379B014	15/165
3/8" (DN 10)	50bar/725psi	379B038	15/165
1/2" (DN 15)	50bar/725psi	379B012	10/130
3/4" (DN 20)	40bar/580psi	379B034	8/64
1" (DN 25)	40bar/580psi	379B100	6/48

TECHNICAL SPECIFICATIONS

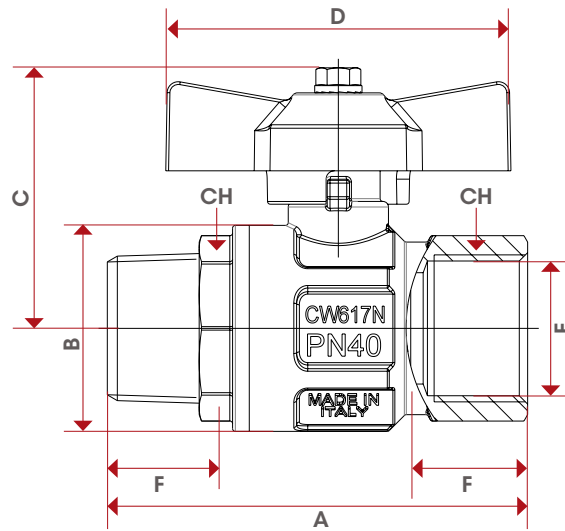
Male/female threads.
T handle in aluminium.
Body in chrome-plated brass.
Minimum and maximum working temperatures:
-20°C, 150°C in absence of steam.
Female threads: ISO 7/1 Rp parallel
(equivalent to DIN EN 10226-1 and BS EN 10226-1).
Male threads: ISO 7/1 R taper
(equivalent to DIN EN 10226-1 and BS EN 10226-1).

MATERIALS



POS.	DESCRIPTION	N.	MATERIAL
1	Screw	1	Zinc-plated steel Fe CB4
2	T handle	1	Aluminium
3	O-Ring	1	VITON®
4	O-Ring	1	NBR
5	Stem	1	Brass CW614N
6	End adapter	1	Chrome-plated brass CW617N
7	Seat	2	P.T.F.E.
8	Ball	1	Chrome-plated brass CW617N
9	Body	1	Chrome-plated brass CW617N

OVERALL DIMENSIONS



	1/4"	3/8"	1/2"	3/4"	1"
DN	8	10	15	20	25
A	56,9	58,9	68	75,5	90,5
B	23,5	24	30,5	37	45,5
C	37,3	37,3	43,8	46,8	50,8
D	47	47	54	62	62
E	8	10	15	20	25
F	11	11,4	15	16,3	19,1
CH	18	21	25	31	38
Kg/cm ² bar	50	50	50	40	40
LBS - psi	725	725	725	580	580

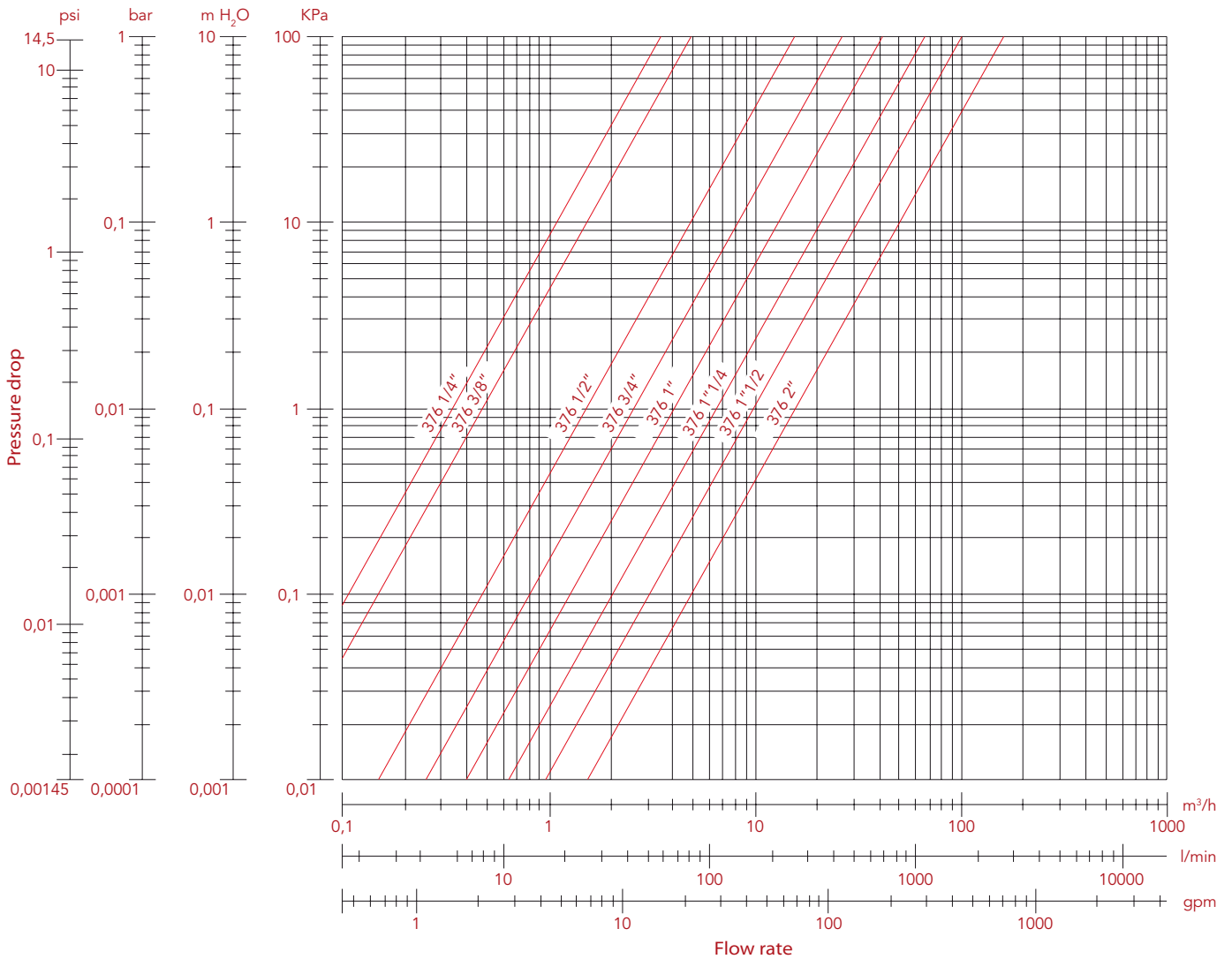
CERTIFICATIONS



FLOW RATE AND PRESSURE DROP CHART

WITH WATER

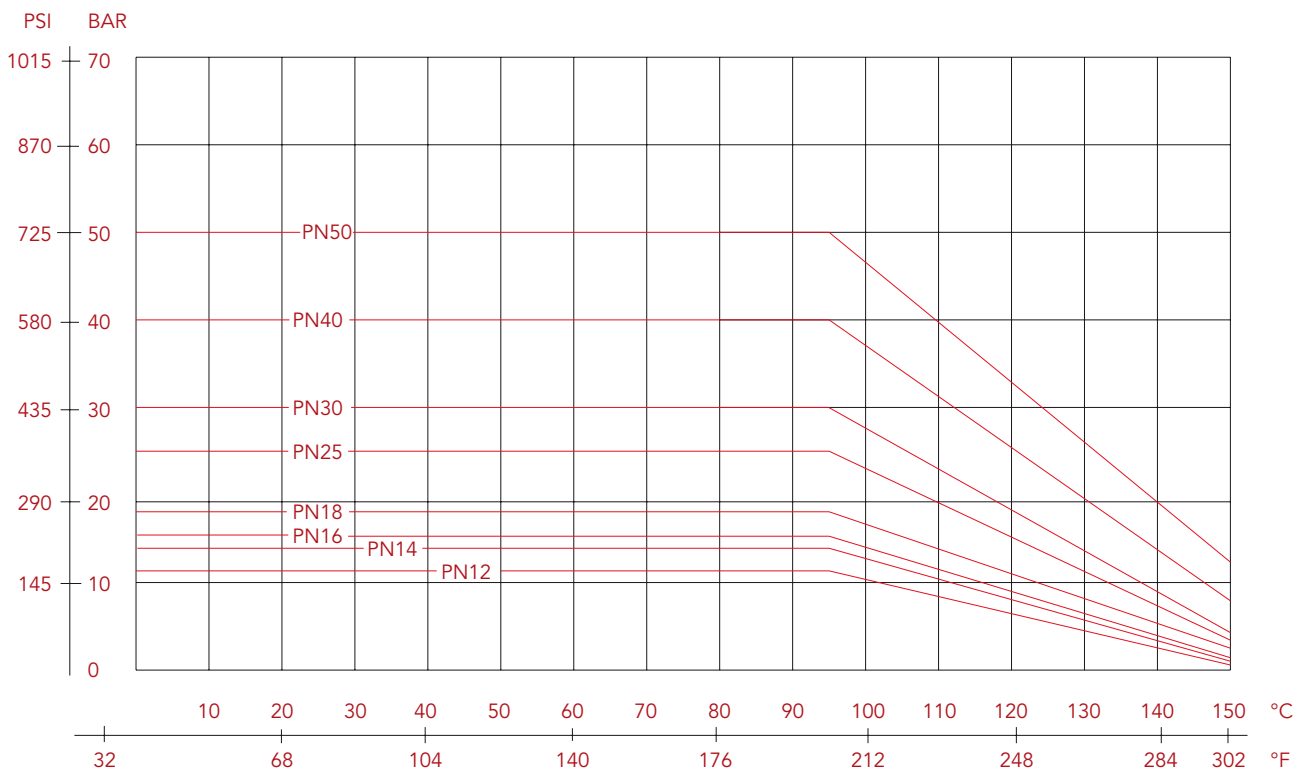
Art: 376 - 377 - 378 - 379



SIZE	1/4"	3/8"	1/2"	3/4"	1"	1 1/4"	1 1/2"	2"
Ø	10	10	15	20	25	32	40	50
Kv	3,21	4,88	15,32	25,96	41,29	63,27	100	167

PRESSURE-TEMPERATURE DIAGRAM

BALL VALVES



The values shown by the dropping lines state the maximum limit of employment of the valves.
The shown valves are approximate.