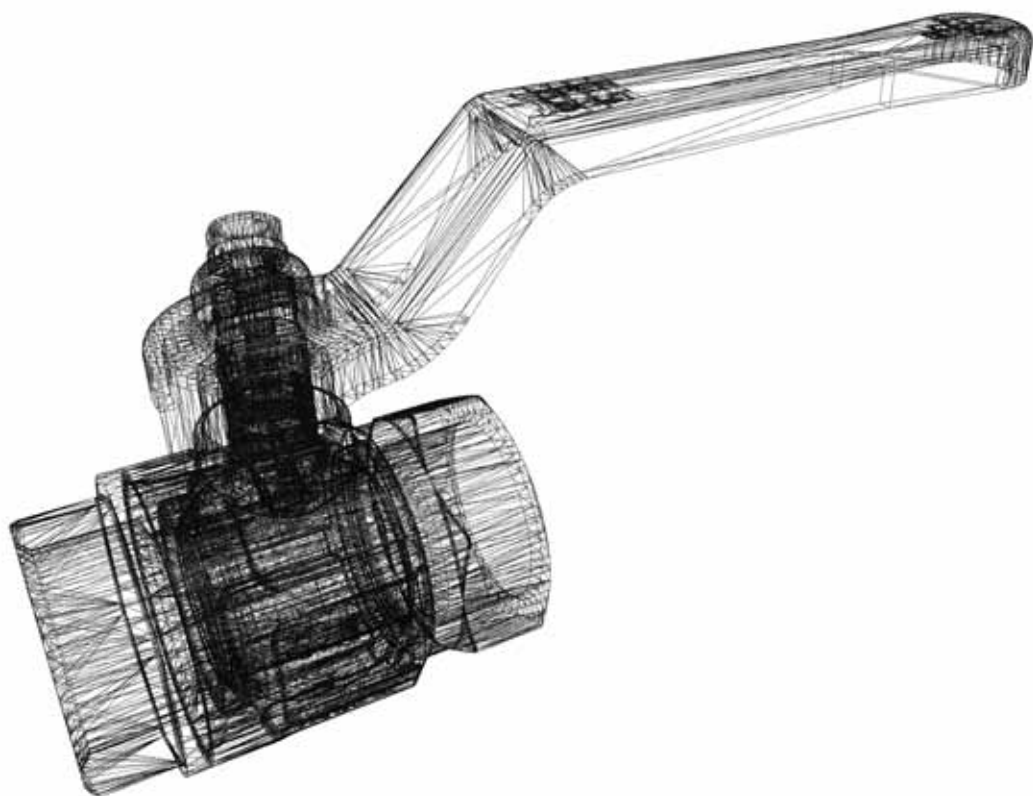


A-2512 TRIBUSWINKEL, WERKSGASSE 7

TELEFON: +43-(0) 2252 90 82 60 TELEFAX: +43-(0) 2252 90 82 61  
Internet: www.klepp.at e-mail: office@klepp.at

**klepp** & Co  
ARMATUREN Handels-GmbH



TECHNICAL CATALOGUE

---

BALL VALVES:  
IDEAL<sup>®</sup>

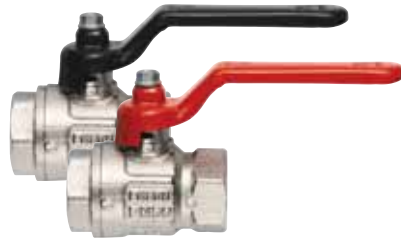
FULL FLOW  
BALL VALVES:  
IDEAL®

SUITABLE FOR DOMESTIC  
WATER SERVICES, HEATING AND  
AIR-CONDITIONING PLANTS,  
COMPRESSED AIR SYSTEMS.

BALL VALVES

# 090

IDEAL®  
BALL VALVE,  
FULL FLOW



SIZE	PRESSURE	CODE	PACKING
1/4" (DN 8)	50bar/725psi	0900014/N	12/192
3/8" (DN 10)	50bar/725psi	0900038/N	12/192
1/2" (DN 15)	50bar/725psi	0900012/N	12/156
3/4" (DN 20)	40bar/580psi	0900034/N	8/64
1" (DN 25)	40bar/580psi	0900100/N	8/64
1"1/4 (DN 32)	30bar/435psi	0900114/N	4/32
1"1/2 (DN 40)	30bar/435psi	0900112/N	2/26
2" (DN 50)	25bar/362,5psi	0900200/N	2/12
2"1/2 (DN 50)	18bar/261psi	0900212/N	1/7
3" (DN 50)	16bar/232psi	0900300/N	1/4
4" (DN 50)	14bar/203psi	0900400/N	1/2

## TECHNICAL SPECIFICATIONS

Female/female threads.

Lever handle in steel.

Body in nickel-plated brass.

Minimum and maximum working temperatures:

-20°C, 150°C in absence of steam.

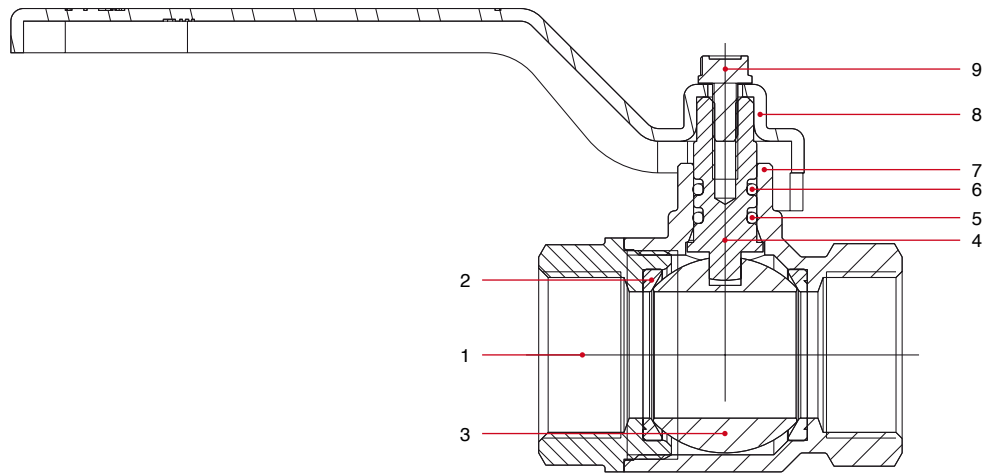
Threads: ISO228

(equivalent to DIN EN ISO 228 and BS EN ISO 228).

Available also with NPT thread in the sizes 1/4" through 2".

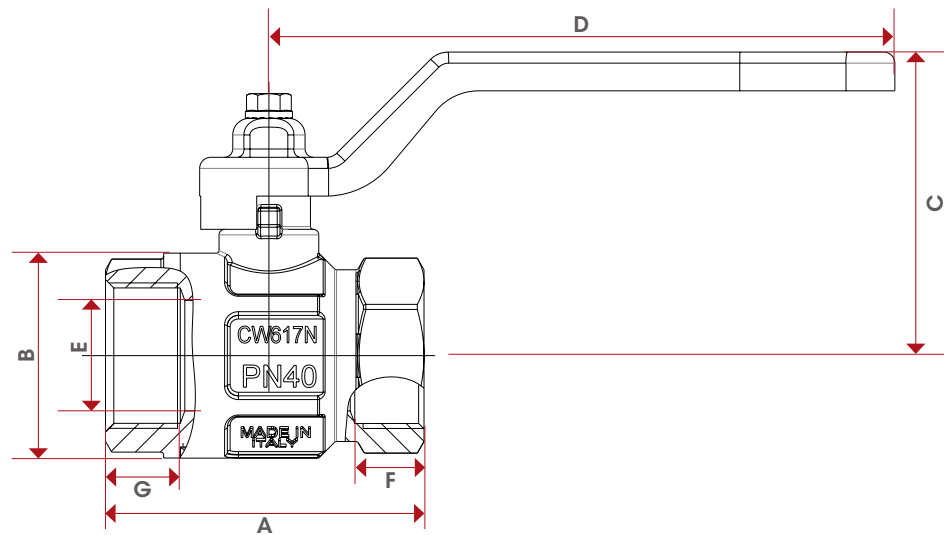
Mention "N" in the code only to order the black handle.

## MATERIALS



POS.	DESCRIPTION	N.	MATERIAL
1	End adapter	1	Nickel-plated brass CW617N
2	Seat	2	P.T.F.E.
3	Ball	1	Chrome-plated brass CW617N
4	Stem	1	Brass CW614N
5	O-Ring	1	NBR
6	O-Ring	1	VITON®
7	Body	1	Nickel-plated brass CW617N
8	Lever handle	1	Zinc-plated and varnished steel Fe.P04
9	Screw	1	Zinc-plated steel Fe CB4

## OVERALL DIMENSIONS



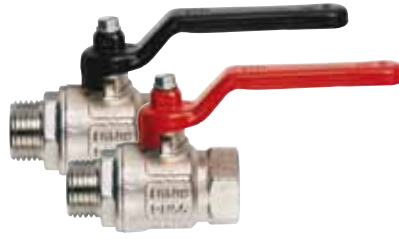
	1/4"	3/8"	1/2"	3/4"	1"	1 1/4"	1 1/2"	2"	2 1/2"	3"	4"
DN	8	10	15	20	25	32	40	50	65	80	100
A	44,4	44,4	50,5	57,5	70	80,5	94,5	112,5	134,5	157	190
B	23,5	24	30,5	37	45,5	57	70	84	109	131	164
C	37	37	41	55	59	75	81	96	115	133	149
D	80	80	80	113	113	138	138	157,8	197	250	250
E	10	10	15	20	25	32	40	50	65	80	100
F	10	10	12	12,5	15	17	18,5	22	24	26	30
G	10	10	12,5	13,5	15	16,5	17,5	20,5	24	26	30
Kg/cm <sup>2</sup> bar	50	50	50	40	40	30	30	25	18	16	14
LBS - psi	725	725	725	580	580	435	435	362,5	261	232	203

## CERTIFICATIONS



# 091

IDEAL®  
BALL VALVE,  
FULL FLOW

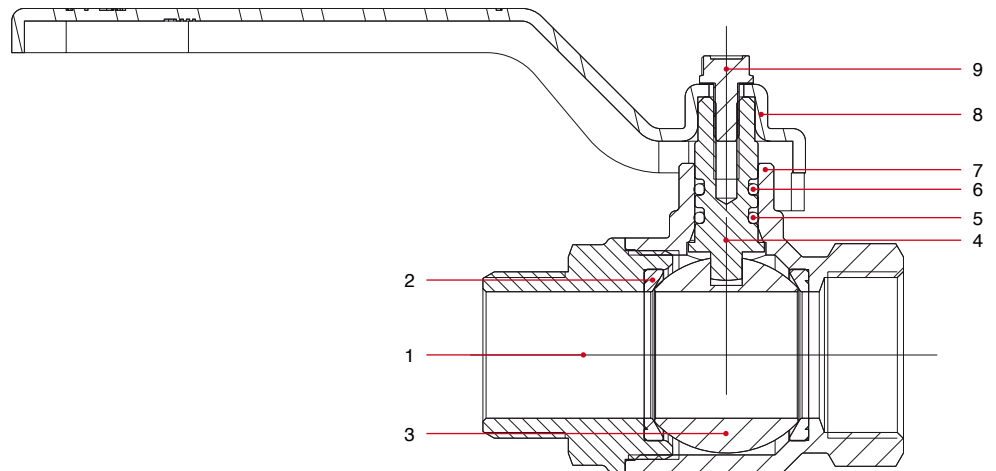


SIZE	PRESSURE	CODE	PACKING
1/4" (DN 8)	50bar/725psi	0910014/N	12/192
3/8" (DN 10)	50bar/725psi	0910038/N	12/192
1/2" (DN 15)	50bar/725psi	0910012/N	12/120
3/4" (DN 20)	40bar/580psi	0910034/N	8/64
1" (DN 25)	40bar/580psi	0910100/N	8/40
1"1/4 (DN 32)	30bar/435psi	0910114/N	4/32
1"1/2 (DN 40)	30bar/435psi	0910112/N	2/24
2" (DN 50)	25bar/362,5psi	0910200/N	2/12

## TECHNICAL SPECIFICATIONS

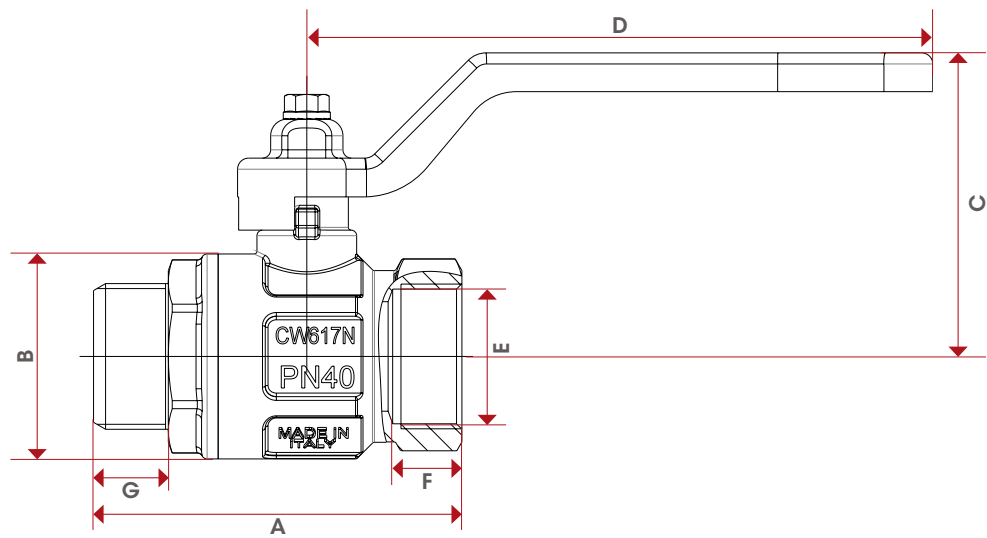
Male/female threads.  
Lever handle in steel.  
Body in nickel-plated brass.  
Minimum and maximum working temperatures:  
-20°C, 150°C in absence of steam.  
Threads: ISO228  
(equivalent to DIN EN ISO 228 and BS EN ISO 228).  
**Mention "N" in the code only to order the black handle.**

## MATERIALS



POS.	DESCRIPTION	N.	MATERIAL
1	End adapter	1	Nickel-plated brass CW617N
2	Seat	2	P.T.F.E.
3	Ball	1	Chrome-plated brass CW617N
4	Stem	1	Brass CW614N
5	O-Ring	1	NBR
6	O-Ring	1	VITON®
7	Body	1	Nickel-plated brass CW617N
8	Lever handle	1	Zinc-plated and varnished steel Fe.P04
9	Screw	1	Zinc-plated steel Fe CB4

## OVERALL DIMENSIONS



	1/4"	3/8"	1/2"	3/4"	1"	1"1/4	1"1/2	2"
DN	8	10	15	20	25	32	40	50
A	54	54	58,5	66,5	78,5	91,5	105,5	122
B	23,5	24	30,5	37	45,5	57	70	84
C	37	37	41	55	59	75	81	96
D	80	80	80	113	113	138	138	157,8
E	8	10	15	20	25	32	39	50
F	10	10	12	12,5	15	17	18,5	22
G	10,5	10,5	11,5	13,5	14,5	17	19	21
Kg/cm <sup>2</sup> bar	50	50	50	40	40	30	30	25
LBS - psi	725	725	725	580	580	435	435	362,5

## CERTIFICATIONS



# 092

IDEAL®  
BALL VALVE,  
FULL FLOW



SIZE	PRESSURE	CODE	PACKING
1/4" (DN 8)	50bar/725psi	0920014/N	15/240
3/8" (DN 10)	50bar/725psi	0920038/N	15/240
1/2" (DN 15)	50bar/725psi	0920012/N	12/132
3/4" (DN 20)	40bar/580psi	0920034/N	8/88
1" (DN 25)	40bar/580psi	0920100/N	8/64
1"1/4 (DN 32)	30bar/435psi	0920114/N	4/32

## TECHNICAL SPECIFICATIONS

Female/female threads.

T handle in aluminium.

Body in nickel-plated brass.

Minimum and maximum working temperatures:

-20°C, 150°C in absence of steam.

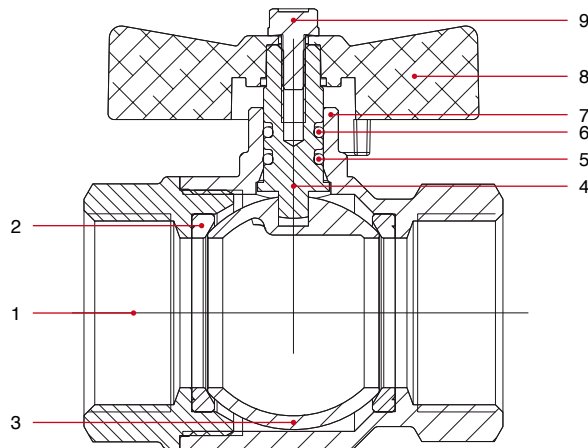
Threads: ISO228

(equivalent to DIN EN ISO 228 and BS EN ISO 228).

Available also with NPT thread in the sizes 1/4" through 1".

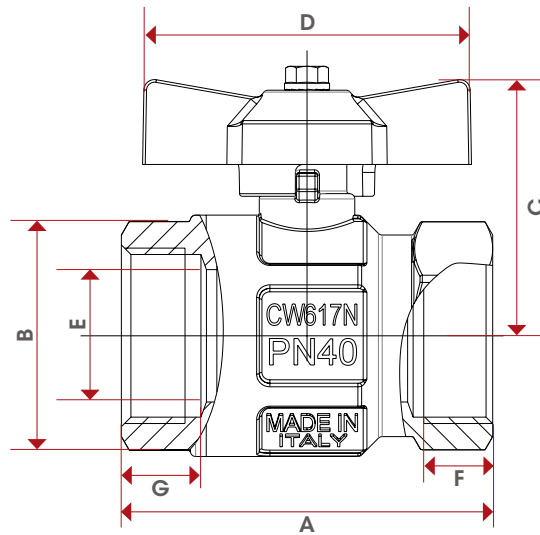
Mention "N" in the code only to order the black handle.

## MATERIALS



POS.	DESCRIPTION	N.	MATERIAL
1	End adapter	1	Nickel-plated brass CW617N
2	Seat	2	P.T.F.E.
3	Ball	1	Chrome-plated brass CW617N
4	Stem	1	Brass CW614N
5	O-Ring	1	NBR
6	O-Ring	1	VITON®
7	Body	1	Nickel-plated brass CW617N
8	T handle	1	Aluminium
9	Screw	1	Zinc-plated steel Fe CB4

## OVERALL DIMENSIONS



	1/4"	3/8"	1/2"	3/4"	1"	1 1/4"
DN	8	10	15	20	25	32
A	44,4	44,4	50,5	57,5	70	80,5
B	23,5	24	30,5	37	45,5	57
C	37	37	41	47	51	64
D	47	47	47	62	62	70
E	10	10	15	20	25	32
F	10	10	12	12,5	15	17
G	10	10	12,5	13,5	15	16,5
Kg/cm <sup>2</sup> bar	50	50	50	40	40	30
LBS - psi	725	725	725	580	580	435

## CERTIFICATIONS





# 093

IDEAL®  
BALL VALVE,  
FULL FLOW

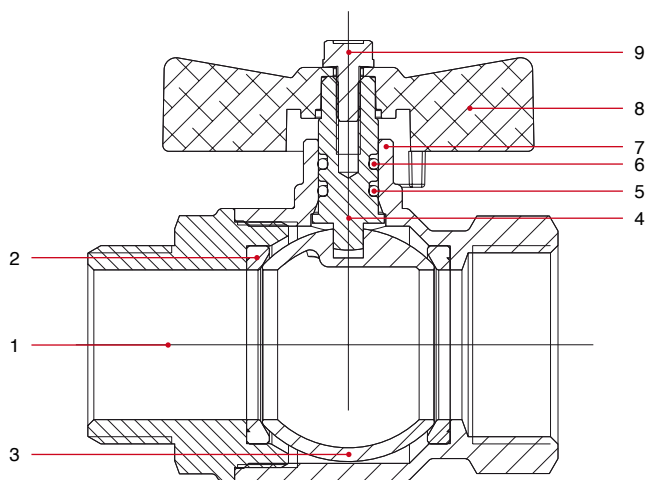


SIZE	PRESSURE	CODE	PACKING
1/4" (DN 8)	50bar/725psi	0930014/N	15/165
3/8" (DN 10)	50bar/725psi	0930038/N	15/165
1/2" (DN 15)	50bar/725psi	0930012/N	12/96
3/4" (DN 20)	40bar/580psi	0930034/N	8/64
1" (DN 25)	40bar/580psi	0930100/N	8/64
1"1/4 (DN 32)	30bar/435psi	0930114/N	4/32

## TECHNICAL SPECIFICATIONS

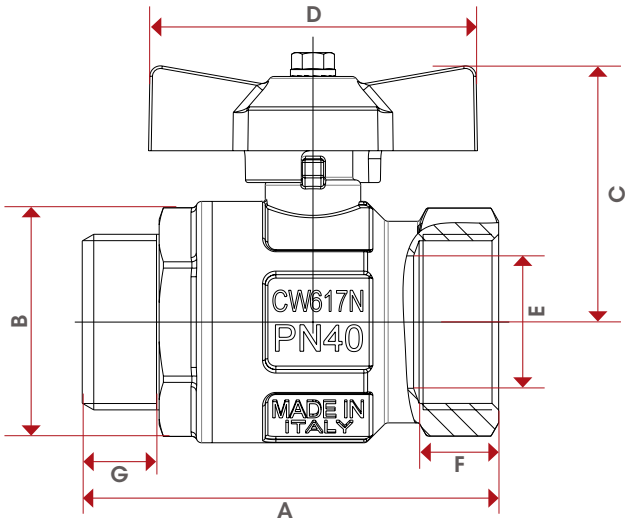
Male/female threads.  
T handle in aluminium.  
Body in nickel-plated brass.  
Minimum and maximum working temperatures:  
-20°C, 150°C in absence of steam.  
Threads: ISO228  
(equivalent to DIN EN ISO 228 and BS EN ISO 228).  
**Mention "N" in the code only to order the black handle.**

## MATERIALS



POS.	DESCRIPTION	N.	MATERIAL
1	Manicotto	1	Ottone nichelato CW617N
2	Sede	2	P.T.F.E.
3	Sfera	1	Ottone cromato CW617N
4	Asta di manovra	1	Ottone CW614N
5	Guarnizione	1	NBR
6	Guarnizione	1	VITON®
7	Corpo	1	Ottone nichelato CW617N
8	T handle	1	Aluminium
9	Vite	1	Acciaio zincato Fe CB4

# OVERALL DIMENSIONS



	1/4"	3/8"	1/2"	3/4"	1"	1 1/4"
DN	8	10	15	20	25	32
A	54	54	58,5	66,5	78,5	91,5
B	23,5	24	30,5	37	45,5	57
C	37	37	41	47	51	64
D	47	47	47	62	62	70
E	8	10	15	20	25	32
F	10	10	12	12,5	15	17
G	10,5	10,5	11,5	13,5	14,5	17
Kg/cm <sup>2</sup> bar	50	50	50	40	40	30
LBS - psi	725	725	725	580	580	435

# CERTIFICATIONS



# 098

VALVOLA A SFERA IDEAL<sup>®</sup>,  
PASSAGGIO TOTALE  
PER COLLETTORI

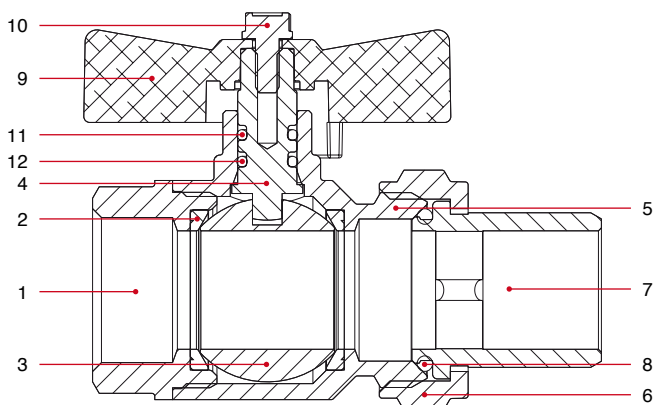


SIZE	PRESSURE	CODE	PACKING
1/2" (DN 15)	50bar/725psi	0980012	8/88
3/4" (DN 20)	40bar/580psi	0980034	6/60
1" (DN 25)	40bar/580psi	0980100	6/48
1"1/4 (DN 32)	30bar/435psi	0980114	4/32
1"1/2 (DN 40)	30bar/435psi	0980112	2/16
2" (DN 50)	30bar/435psi	0980200	2/10

## TECHNICAL SPECIFICATIONS

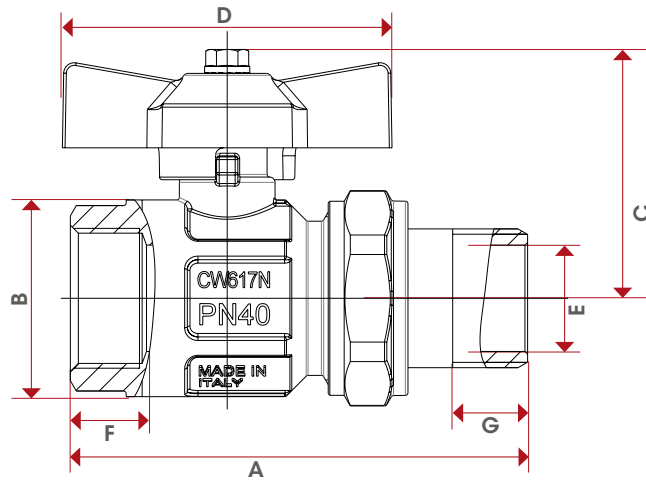
Male/female threads.  
T handle in aluminium.  
Body in nickel-plated brass.  
Minimum and maximum working temperatures:  
-20°C, 150°C in absence of steam.  
Threads ISO228  
(equivalent to DIN EN ISO 228 and BS EN ISO 228).  
**1"1/2 and 2" size with flat seat and lever handle in steel.**

## MATERIALS



POS.	DESCRIPTION	N.	MATERIAL
1	End adapter	1	Nickel-plated brass CW617N
2	Seat	2	P.T.F.E.
3	Ball	1	Chrome-plated brass CW617N
4	Stem	1	Brass CW614N
5	Body	1	Nickel-plated brass CW617N
6	Nut	1	Nickel-plated brass CW617N
7	Union	1	Nickel-plated brass CW617N
8	O-Ring	1	NBR
9	T handle	1	Aluminium
10	Screw	1	Zinc-plated steel Fe CB4
11	O-Ring	1	VITON <sup>®</sup>
12	O-Ring	1	NBR

## OVERALL DIMENSIONS



	1/2"	3/4"	1"	1 1/4"	1 1/2"	2"
DN	15	20	25	32	40	50
A	74	86	99	115	131,5	150,5
B	30,5	37	45,5	57	70	84
C	41	47	51,5	63,5	81	96
D	47	62	62	70	138	157,8
E	15	20	25	32	39	50
F	12,5	13,5	15	16,5	17,5	20,5
G	12	14	16	17	16	17
Kg/cm <sup>2</sup> bar	50	40	40	30	30	30
LBS - psi	725	580	580	435	435	435

## CERTIFICATIONS



# 098S

VALVOLA A SFERA  
IDEAL® CON O-RING,  
PASSAGGIO TOTALE PER  
COLLETTORI

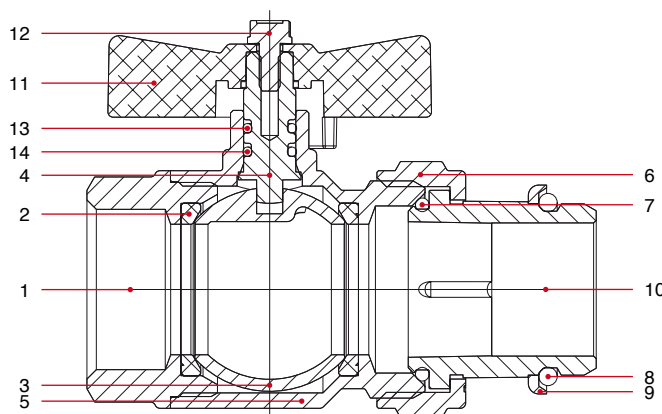


SIZE	PRESSURE	CODE	PACKING
1/2" (DN 15)	50bar/725psi	0980012S	8/88
3/4" (DN 20)	40bar/580psi	0980034S/SB	6/60
1" (DN 25)	40bar/580psi	0980100S/SB	6/48
1"1/4 (DN 32)	30bar/435psi	0980114S	4/32

## TECHNICAL SPECIFICATIONS

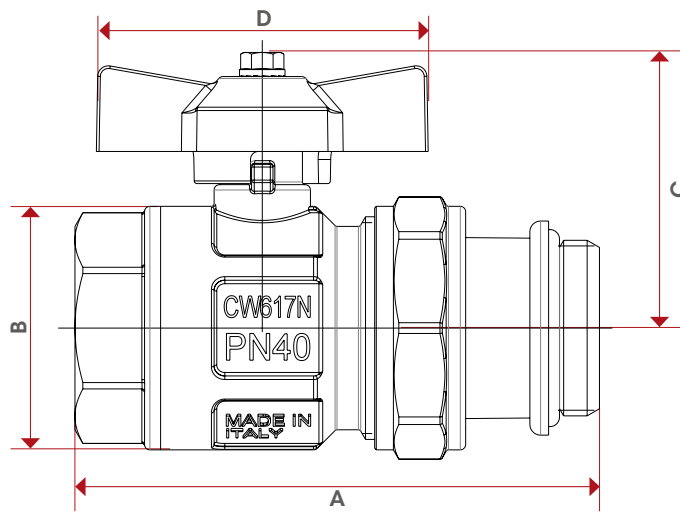
Male/female threads.  
T handle in aluminium.  
Body in nickel-plated brass.  
Minimum and maximum working temperatures:  
-20°C, 150°C in absence of steam.  
Threads ISO228  
(equivalent to DIN EN ISO 228 and BS EN ISO 228).  
**3/4" and 1" available also with blue handle.**  
**Mention "SB" in the code only to order the blue handle.**

## MATERIALS



POS.	DESCRIPTION	N.	MATERIAL
1	End adapter	1	Nickel-plated brass CW617N
2	Seat	2	P.T.F.E.
3	Ball	1	Chrome-plated brass CW617N
4	Stem	1	Brass CW614N
5	Body	1	Nickel-plated brass CW617N
6	Nut	1	Nickel-plated brass CW617N
7	O-Ring	1	NBR
8	O-Ring	1	NBR
9	Ring	1	Steel Fe
10	Union	1	Nickel-plated brass CW617N
11	T handle	1	Aluminium
12	Screw	1	Zinc-plated steel Fe CB4
13	O-Ring	1	VITON®
14	O-Ring	1	NBR

## OVERALL DIMENSIONS



	1/2"	3/4"	1"	1 1/4"
DN	15	20	25	32
A	74	86	98	113
B	30,5	37	45,5	57
C	41	47	51,5	63,5
D	47	62	62	70
Kg/cm <sup>2</sup> bar	50	40	40	30
LBS - psi	725	580	580	435

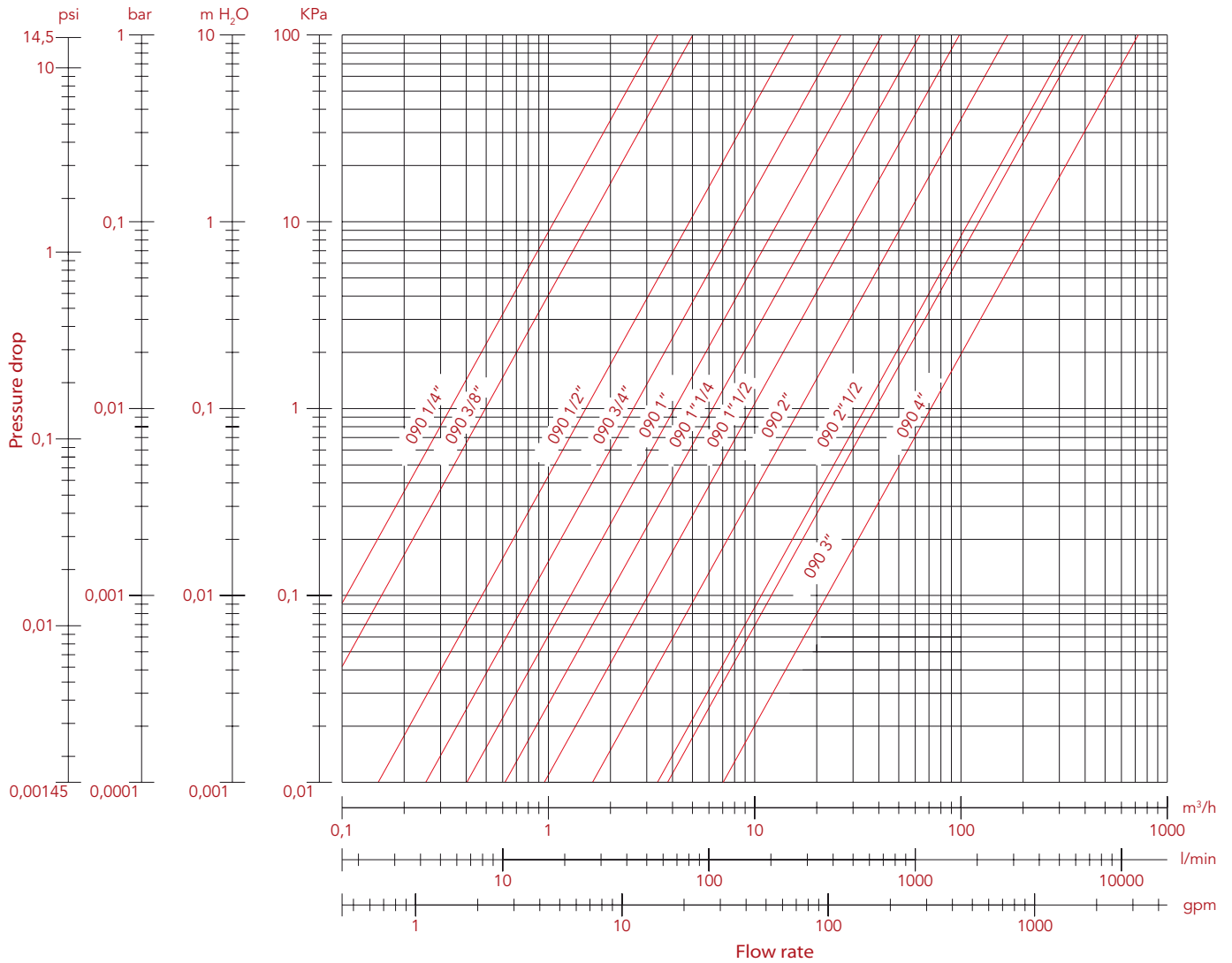
## CERTIFICATIONS



# FLOW RATE AND PRESSURE DROP CHART

## WITH WATER

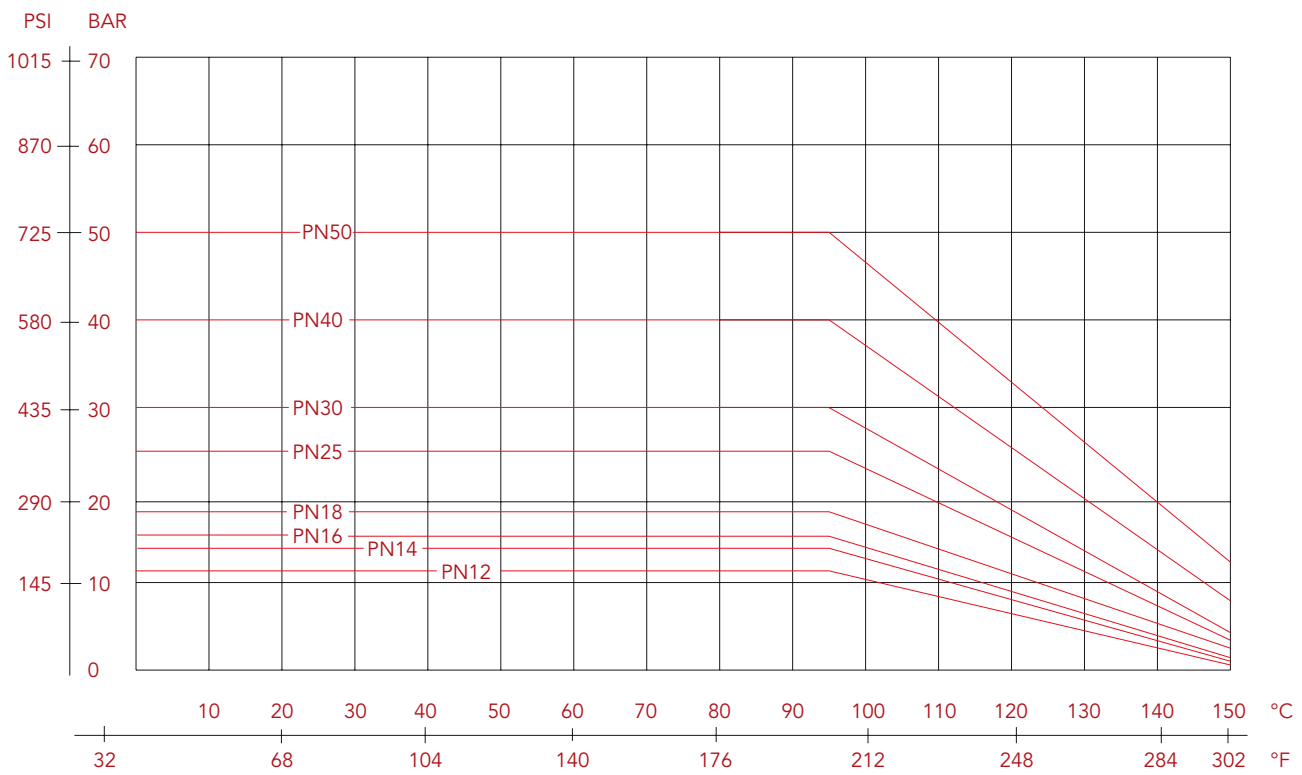
Art: 090 - 091 - 092 - 093



SIZE	1/4"	3/8"	1/2"	3/4"	1"	1 1/4"	1 1/2"	2"	2 1/2"	3"	4"
Ø	10	10	15	20	25	32	40	50	65	80	100
Kv	3,45	5,00	15,65	26,26	41,44	63,69	101	169	348	390	725

# PRESSURE-TEMPERATURE DIAGRAM

## BALL VALVES



The values shown by the dropping lines state the maximum limit of employment of the valves.  
The shown valves are approximate.



# 298

VALVOLA A SFERA  
A SQUADRA IDEAL<sup>®</sup>,  
PASSAGGIO TOTALE PER  
COLLETTORI

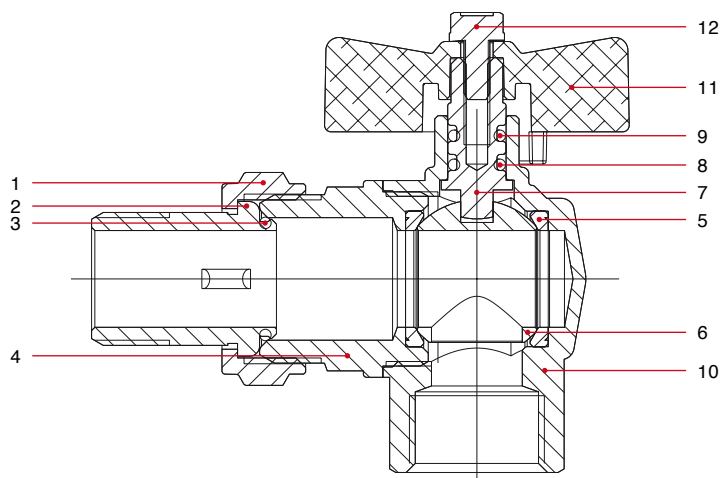


SIZE	PRESSURE	CODE	PACKING
1/2" (DN 15)	50bar/725psi	2980012	6/96
3/4" (DN 20)	40bar/580psi	2980034	6/48
1" (DN 25)	40bar/580psi	2980100	4/32

## TECHNICAL SPECIFICATIONS

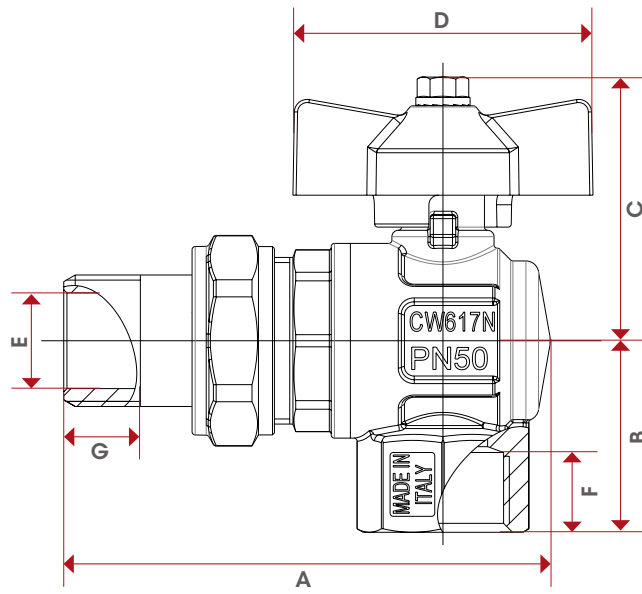
Male/female threads.  
T handle in aluminium.  
Angle body in nickel-plated brass.  
Minimum and maximum working temperatures:  
-20°C, 150°C in absence of steam.  
Threads ISO228  
(equivalent to DIN EN ISO 228 and BS EN ISO 228).

## MATERIALS



POS.	DESCRIPTION	N.	MATERIAL
1	Nut	1	Nickel-plated brass CW617N
2	Union	1	Nickel-plated brass CW617N
3	O-Ring	1	NBR
4	End adapter	1	Nickel-plated brass CW617N
5	Seat	2	P.T.F.E.
6	Ball	1	Chrome-plated brass CW617N
7	Stem	1	Brass CW614N
8	O-Ring	1	NBR
9	O-Ring	1	VITON <sup>®</sup>
10	Body	1	Nickel-plated brass CW617N
11	T handle	1	Aluminium
12	Screw	1	Zinc-plated steel Fe CB4

## OVERALL DIMENSIONS



	1/2"	3/4"	1"
DN	15	20	25
A	76,2	89,5	106,5
B	30	33,5	39,75
C	41	47	51
D	47	62	62
E	14	18	23
F	12,5	13,5	15
G	12	14	16
Kg/cm <sup>2</sup> bar	50	40	40
LBS - psi	725	580	580

## CERTIFICATIONS



# 298S

VALVOLA A SFERA A  
SQUADRA IDEAL® CON  
O-RING, PASSAGGIO  
TOTALE PER COLLETTORI

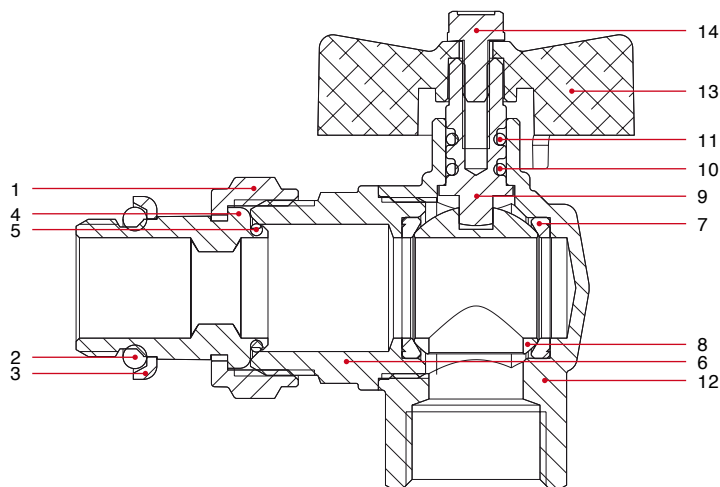


SIZE	PRESSURE	CODE	PACKING
1/2" (DN 15)	50bar/725psi	2980012S	6/96
3/4" (DN 20)	40bar/580psi	2980034S/SB	6/48
1" (DN 25)	40bar/580psi	2980100S/SB	4/32

## TECHNICAL SPECIFICATIONS

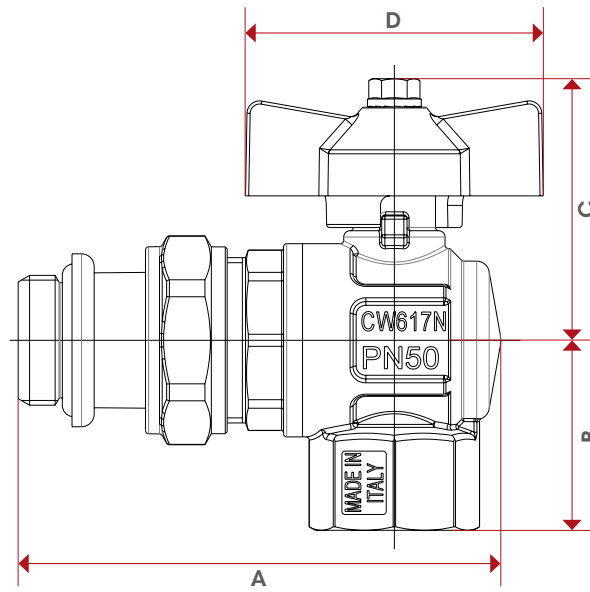
Male/female threads.  
T handle in aluminium.  
Angle body in nickel-plated brass.  
Minimum and maximum working temperatures:  
-20°C, 150°C in absence of steam.  
Threads ISO228  
(equivalent to DIN EN ISO 228 and BS EN ISO 228).  
**3/4" and 1" available also with blue handle.**  
**Mention "SB" in the code only to order the blue handle.**

## MATERIALS



POS.	DESCRIPTION	N.	MATERIAL
1	Nut	1	Nickel-plated brass CW617N
2	O-Ring	1	NBR
3	Ring	1	Steel Fe
4	Union	1	Nickel-plated brass CW617N
5	O-Ring	1	NBR
6	End adapter	1	Nickel-plated brass CW617N
7	Seat	2	P.T.F.E.
8	Ball	1	Chrome-plated brass CW617N
9	Stem	1	Brass CW614N
10	O-Ring	1	NBR
11	O-Ring	1	VITON®
12	Body	1	Nickel-plated brass CW617N
13	T handle	1	Aluminium
14	Screw	1	Zinc-plated steel Fe CB4

## OVERALL DIMENSIONS



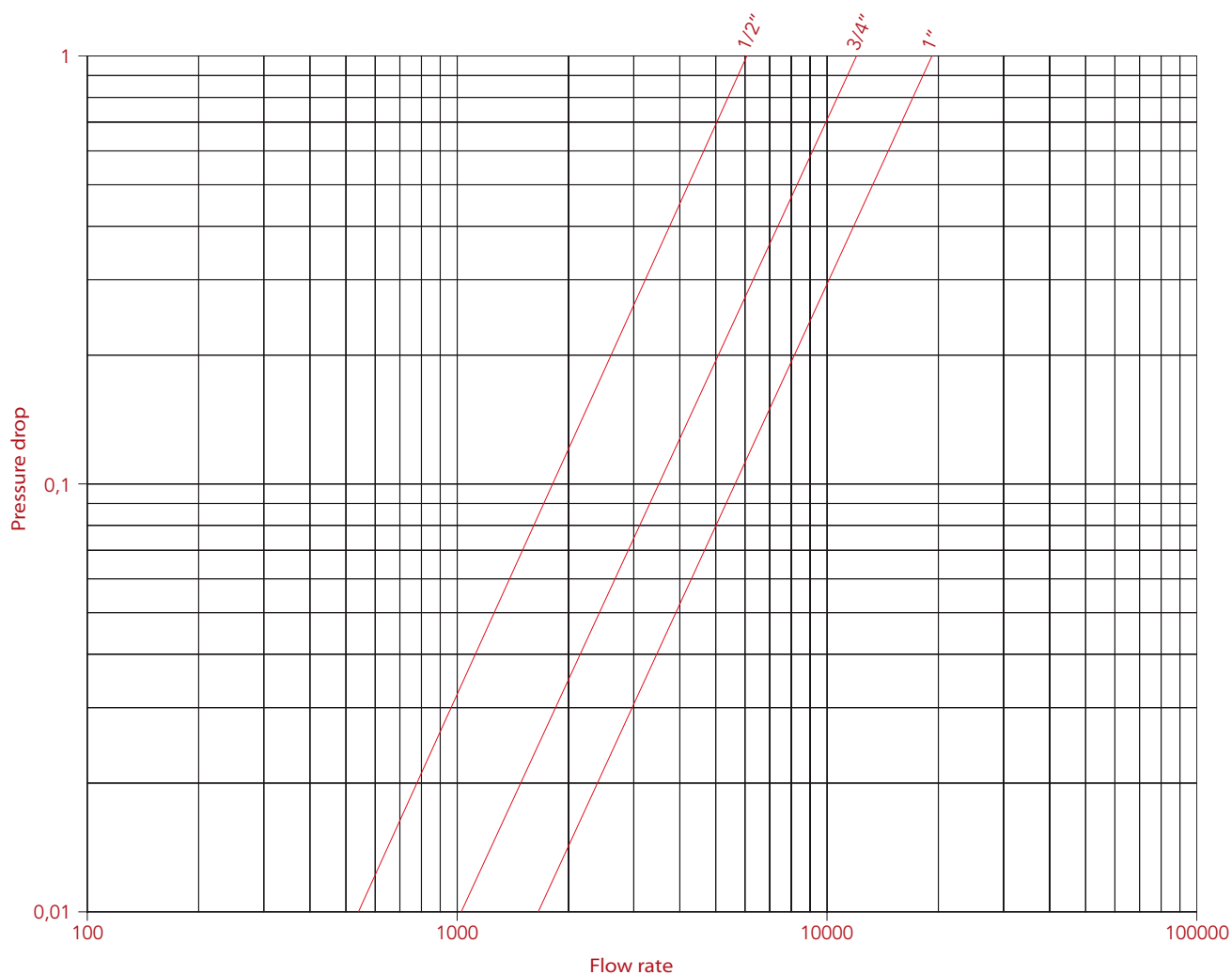
	1/2"	3/4"	1"
DN	15	20	25
A	76,2	89,5	105,5
B	30	33,5	39,75
C	41	47	51
D	47	62	62
Kg/cm <sup>2</sup> bar	50	40	40
LBS - psi	725	580	580

## CERTIFICATIONS



# FLOW RATE AND PRESSURE DROP CHART WITH WATER

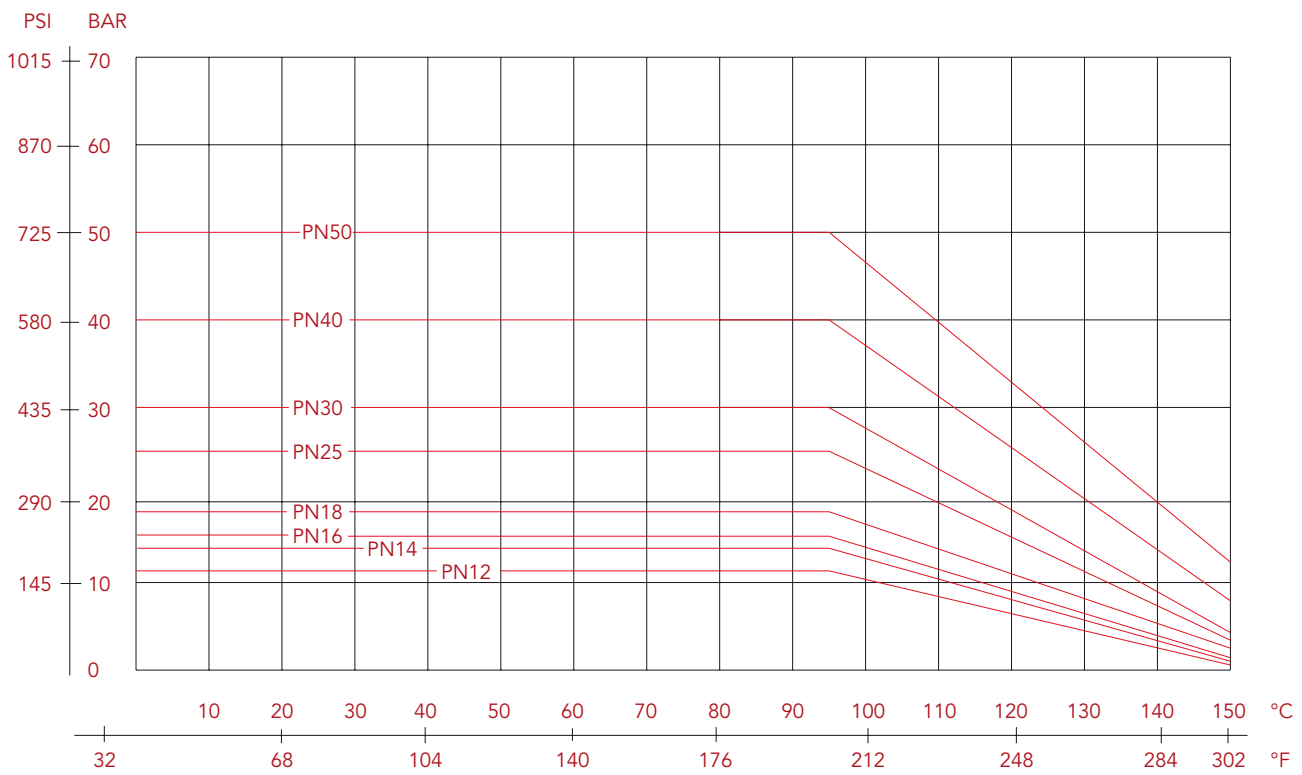
Art: 298



SIZE	1/2"	3/4"	1"
Ø	15	20	25
Kv	6,00	12,00	19,20

# PRESSURE-TEMPERATURE DIAGRAM

## BALL VALVES



The values shown by the dropping lines state the maximum limit of employment of the valves.  
The shown valves are approximate.