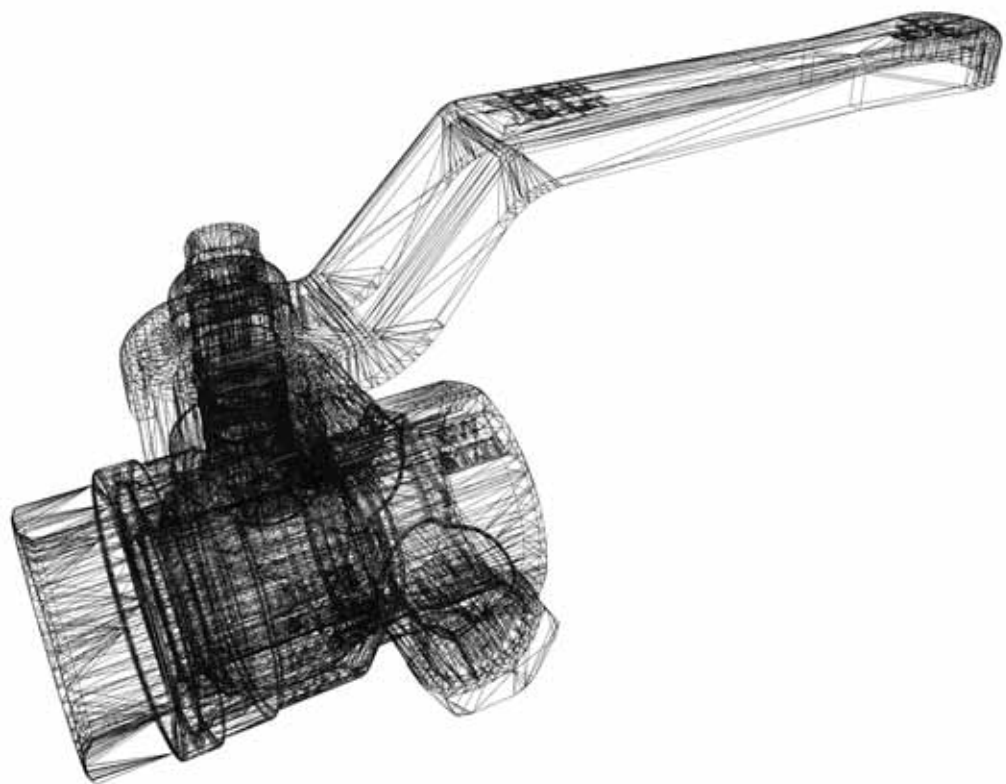


A-2512 TRIBUSWINKEL, WERKSGASSE 7

TELEFON: +43-(0) 2252 90 82 60 TELEFAX: +43-(0) 2252 90 82 61
Internet: www.klepp.at e-mail: office@klepp.at

klepp & Co
ARMATUREN Handels-GmbH



TECHNICAL CATALOGUE

STANDARD FLOW BALL VALVE WITH DRAIN VALVE ART.115

STANDARD FLOW
BALL VALVE WITH
DRAIN VALVE

SUITABLE FOR DOMESTIC
WATER SERVICES, HEATING,
AIR-CONDITIONING PLANTS
AND COMPRESSED AIR
SYSTEMS.

BALL VALVES

115

STANDARD FLOW BALL VALVE WITH DRAIN VALVE



SIZE	PRESSURE	CODE	PACKING
1/2" (DN 15)	25bar/362,5psi	1150012	14/112
3/4" (DN 20)	25bar/362,5psi	1150034	8/64
1" (DN 25)	25bar/362,5psi	1150100	8/48
1"1/4 (DN 32)	20bar/290psi	1150114	4/32
1"1/2 (DN 40)	20bar/290psi	1150112	4/24
2" (DN 50)	20bar/290psi	1150200	2/18

TECHNICAL SPECIFICATIONS

Female/female threads.

Lever handle in steel.

Body in nickel-plated brass.

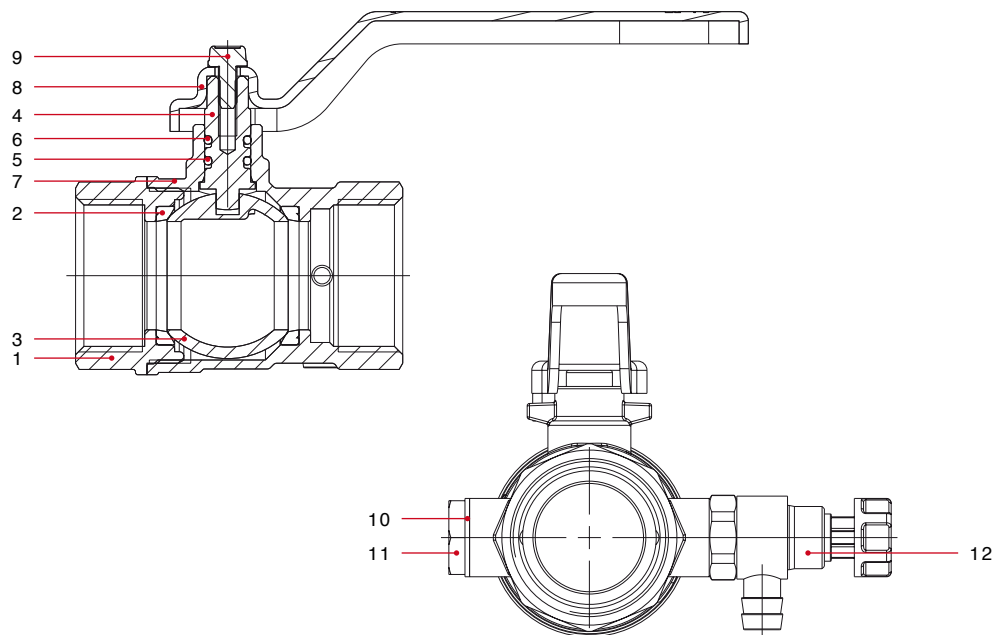
Minimum and maximum working temperatures:

-20°C, 110°C in absence of steam.

Threads: ISO228

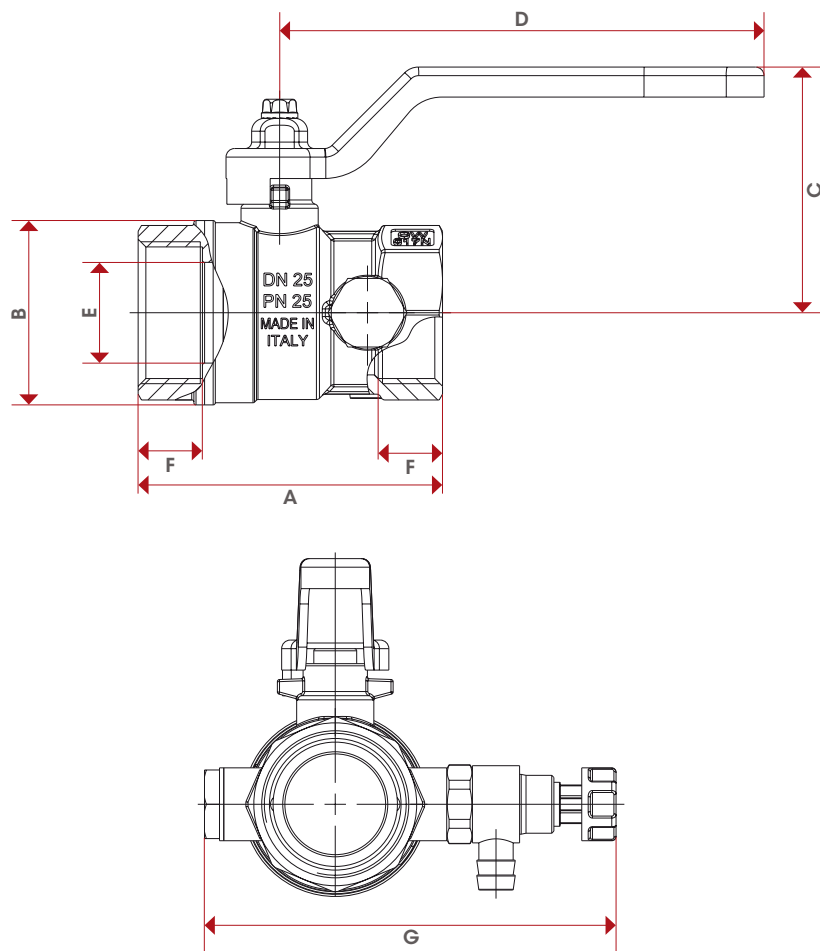
(equivalent to DIN EN ISO 228 and BS EN ISO 228).

MATERIALS



POS.	DESCRIPTION	N.	MATERIAL
1	End adapter	1	Nickel-plated brass CW617N
2	Seat	2	P.T.F.E.
3	Ball	1	Chrome-plated brass CW617N
4	Stem	1	Brass CW614N
5	O-Rng	1	NBR
6	O-Rng	1	VITON®
7	Body	1	Nickel-plated brass CW617N
8	Lever handle	1	Fe P04
9	Screw	1	CB4 FF (C34)
10	Washer	1	Aluminium
11	Plug	1	Nickel-plated brass CW614N
12	Drain valve	1	Brass CW617N

OVERALL DIMENSIONS



	1/2"	3/4"	1"	1"1/4	1"1/2	2"
DN	15	20	25	32	40	50
A	53	58	71	81	93	108
B	29	36	43	53	63	79
C	40	54	57	73	78	94
D	80	113	113	138	138	158
E	14	18,5	23,5	30	37	47
F	12	12	15	16	18	19
G	84	89	96	104	111	124
Kg/cm ² bar	25	25	25	20	20	20
LBS - psi	362,5	362,5	362,5	290	290	290

CERTIFICATIONS

