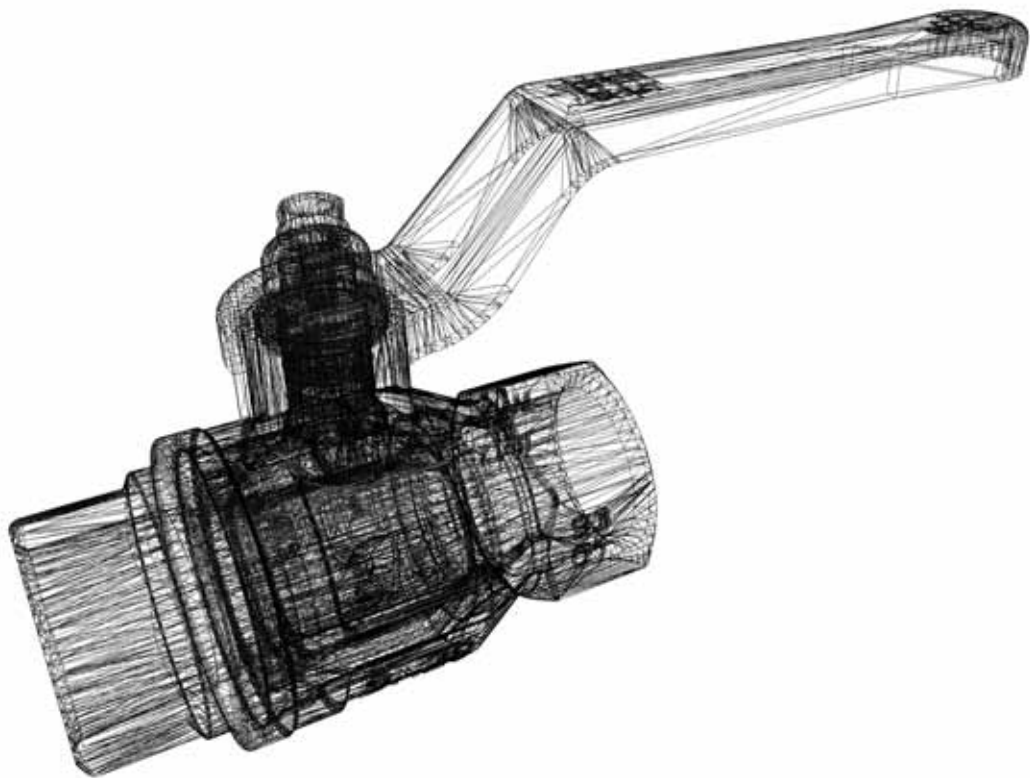


A-2512 TRIBUSWINKEL, WERKSGASSE 7

TELEFON: +43-(0) 2252 90 82 60 TELEFAX: +43-(0) 2252 90 82 61
Internet: www.klepp.at e-mail: office@klepp.at

klepp & Co
ARMATUREN Handels-GmbH



TECHNICAL CATALOGUE

BALL VALVES:
PARIS®

FULL FLOW
BALL VALVES:
PARIS®

SUITABLE FOR DOMESTIC
WATER SERVICES, HEATING
AND AIR-CONDITIONING
PLANTS, COMPRESSED AIR
SYSTEMS.

BALL VALVES

080

PARIS®
BALL VALVE,
FULL FLOW



SIZE	PRESSURE	CODE	PACKING
1/2" (DN 15)	50bar/725psi	080B012	12/96
3/4" (DN 20)	40bar/580psi	080B034	8/40
1" (DN 25)	40bar/580psi	080B100	6/30
1"1/4 (DN 32)	30bar/435psi	080B114	4/24
1"1/2 (DN 40)	30bar/435psi	080B112	2/18
2" (DN 50)	25bar/362,5psi	080B200	2/10

TECHNICAL SPECIFICATIONS

Female/female threads.

Lever handle in steel.

Body in nickel-plated brass.

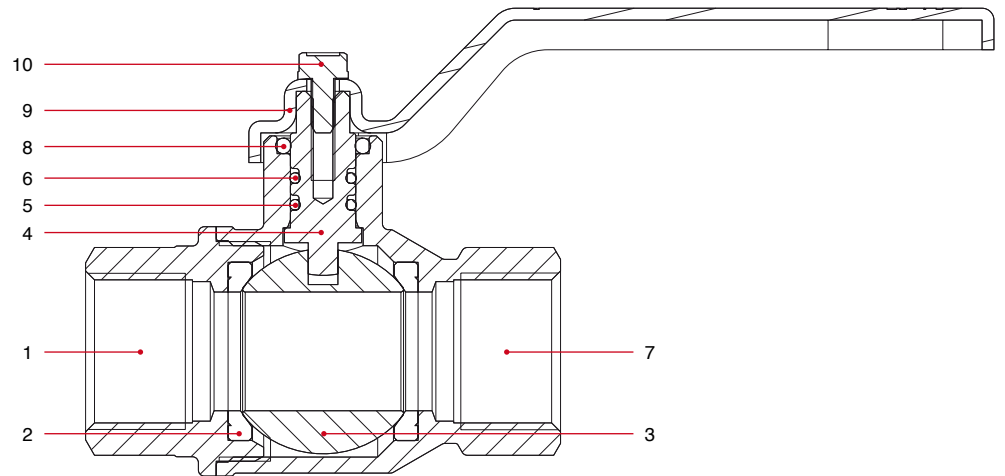
Minimum and maximum working temperatures:

-20°C, 150°C in absence of steam.

Female threads:ISO 7/1 Rp parallel

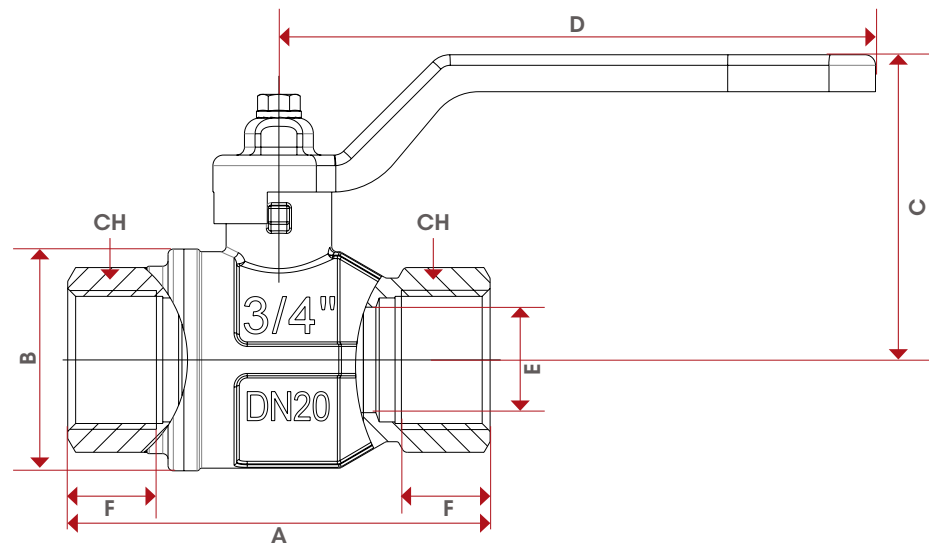
(equivalent to DIN EN 10226-1 and BS EN 10226-1).

MATERIALS



POS.	DESCRIPTION	N.	MATERIAL
1	End adapter	1	Nickel-plated brass CW617N
2	Seat	2	P.T.F.E.
3	Ball	1	Chrome-plated brass CW617N
4	Stem	1	Brass CW614N
5	O-Ring	1	NBR
6	O-Ring	1	VITON®
7	Body	1	Nickel-plated brass CW617N
8	O-Ring	1	NBR
9	Lever handle	1	Zinc-plated and varnished steel Fe.P04
10	Screw	1	Zinc-plated steel Fe CB4

OVERALL DIMENSIONS



	1/2"	3/4"	1"	1 1/4"	1 1/2"	2"
DN	15	20	25	32	40	50
A	75	80	90	110	120	140
B	32,5	42	49,5	59,5	72	86
C	49	58	61	75	91	98
D	88,5	113	113	138	157,8	157,8
E	15	20	25	32	40	50
F	15	16,3	19,1	21,4	21,4	25,7
CH	25	31	40	49	54	68,5
Kg/cm ² bar	50	40	40	30	30	25
LBS - psi	725	580	580	435	435	362,5

CERTIFICATIONS



081

PARIS® BALL VALVE, FULL FLOW

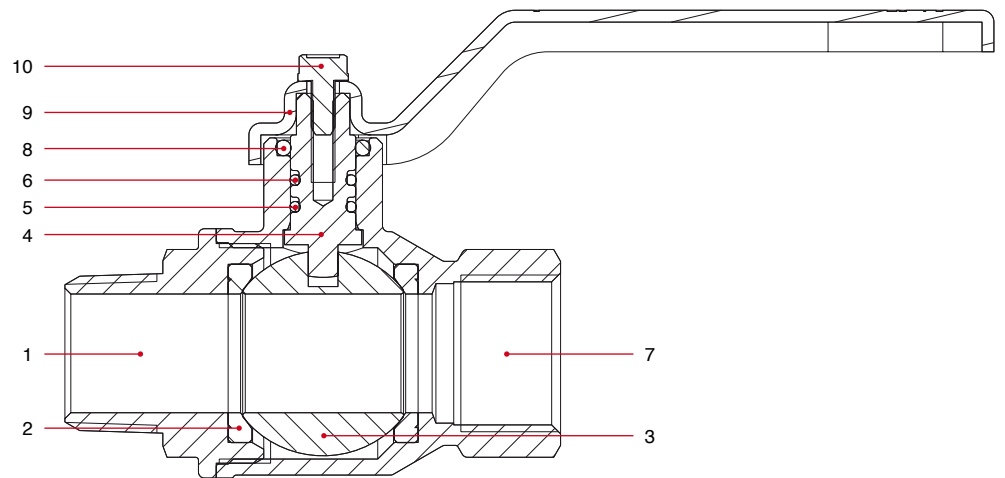


SIZE	PRESSURE	CODE	PACKING
1/2" (DN 15)	50bar/725psi	081B012	12/96
3/4" (DN 20)	40bar/580psi	081B034	8/40
1" (DN 25)	40bar/580psi	081B100	6/30
1"1/4 (DN 32)	30bar/435psi	081B114	4/24
1"1/2 (DN 40)	30bar/435psi	081B112	2/18
2" (DN 50)	25bar/362,5psi	081B200	2/10

TECHNICAL SPECIFICATIONS

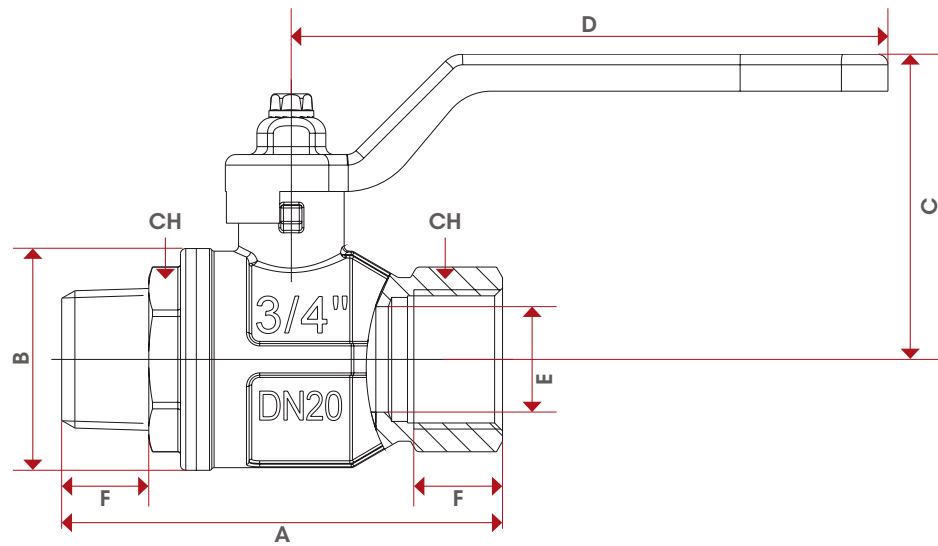
Male/female threads.
Lever handle in steel.
Body in nickel-plated brass.
Minimum and maximum working temperatures:
-20°C, 150°C in absence of steam.
Female threads:ISO 7/1 Rp parallel
(equivalent to DIN EN 10226-1 and BS EN 10226-1).
Male threads ISO 7/1 R taper
(equivalent to DIN EN 10226-1 and BS EN 10226-1).

MATERIALS



POS.	DESCRIPTION	N.	MATERIAL
1	End adapter	1	Nickel-plated brass CW617N
2	Seat	2	P.T.F.E.
3	Ball	1	Chrome-plated brass CW617N
4	Stem	1	Brass CW614N
5	O-Ring	1	NBR
6	O-Ring	1	VITON®
7	Body	1	Nickel-plated brass CW617N
8	O-Ring	1	NBR
9	Lever handle	1	Zinc-plated and varnished steel Fe.P04
10	Screw	1	Zinc-plated steel Fe CB4

OVERALL DIMENSIONS



	1/2"	3/4"	1"	1"1/4	1"1/2	2"
DN	15	20	25	32	40	50
A	76,5	83,5	93	110	121	140,5
B	32,5	42	49,5	59,5	72	86
C	49	58	61	75	91	98
D	88,5	113	113	138	157,8	157,8
E	15	20	25	32	38	49
F	15	16,3	19,1	21,4	21,4	25,7
CH	25	31	40	49	54	68,5
Kg/cm ² bar	50	40	40	30	30	25
LBS - psi	725	580	580	435	435	362,5

CERTIFICATIONS



082

PARIS®
BALL VALVE,
FULL FLOW



SIZE	PRESSURE	CODE	PACKING
1/2" (DN 15)	50bar/725psi	082B012	12/96
3/4" (DN 20)	40bar/580psi	082B034	8/64
1" (DN 25)	40bar/580psi	082B100	8/40

TECHNICAL SPECIFICATIONS

Female/female threads.

T handle in aluminium.

Body in nickel-plated brass.

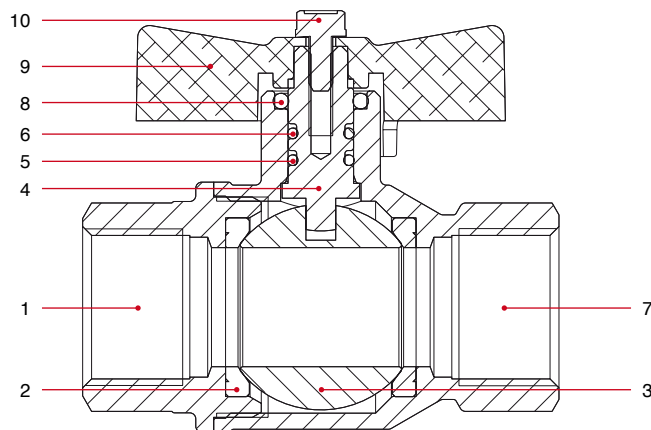
Minimum and maximum working temperatures:

-20°C, 150°C in absence of steam.

Female threads:ISO 7/1 Rp parallel

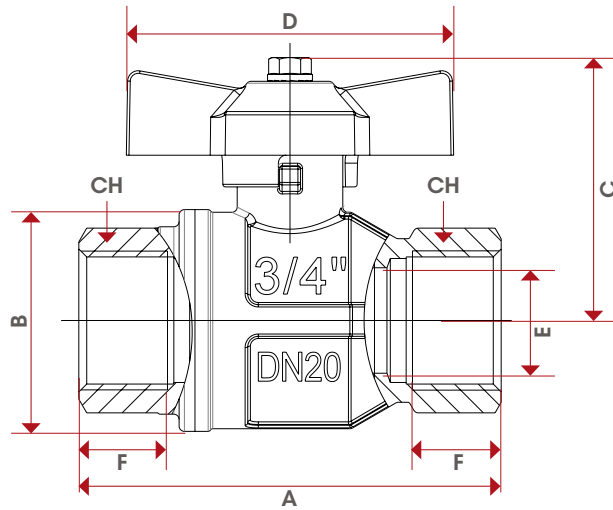
(equivalent to DIN EN 10226-1 and BS EN 10226-1).

MATERIALS



POS.	DESCRIPTION	N.	MATERIAL
1	End adapter	1	Nickel-plated brass CW617N
2	Seat	2	P.T.F.E.
3	Ball	1	Chrome-plated brass CW617N
4	Stem	1	Brass CW614N
5	O-Ring	1	NBR
6	O-Ring	1	VITON®
7	Body	1	Nickel-plated brass CW617N
8	O-Ring	1	NBR
9	T handle	1	Aluminium
10	Screw	1	Zinc-plated steel Fe CB4

OVERALL DIMENSIONS



	1/2"	3/4"	1"
DN	15	20	25
A	75	80	90
B	32,5	42	49,5
C	44	50	53
D	54	62	62
E	15	20	25
F	15	16,3	19,1
CH	25	31	40
Kg/cm ² bar	50	40	40
LBS - psi	725	580	580

CERTIFICATIONS



083

PARIS® BALL VALVE, FULL FLOW

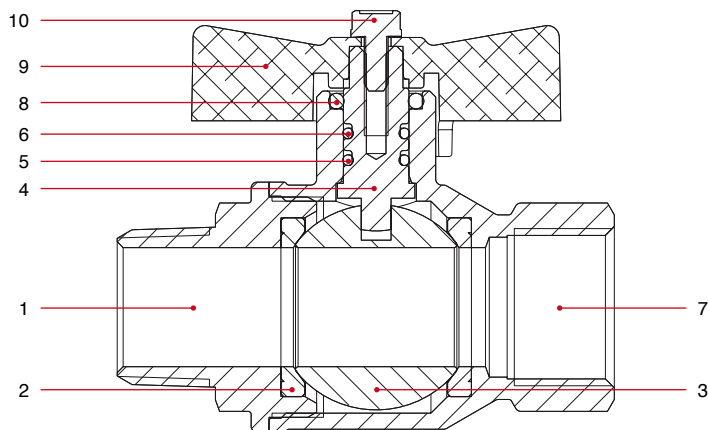


SIZE	PRESSURE	CODE	PACKING
1/2" (DN 15)	50bar/725psi	083B012	12/96
3/4" (DN 20)	40bar/580psi	083B034	8/64
1" (DN 25)	40bar/580psi	083B100	8/48

TECHNICAL SPECIFICATIONS

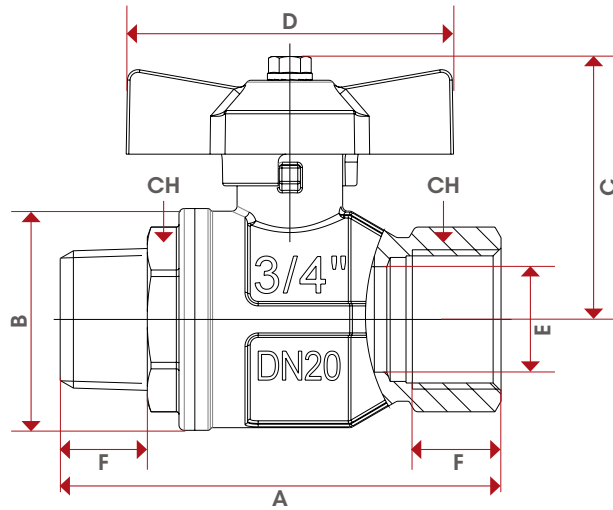
Male/female threads.
T handle in aluminium.
Body in nickel-plated brass.
Minimum and maximum working temperatures:
-20°C, 150°C in absence of steam.
Female threads:ISO 7/1 Rp parallel
(equivalent to DIN EN 10226-1 and BS EN 10226-1).
Male threads ISO 7/1 R taper
(equivalent to DIN EN 10226-1 and BS EN 10226-1).

MATERIALS



POS.	DESCRIPTION	N.	MATERIAL
1	End adapter	1	Nickel-plated brass CW617N
2	Seat	2	P.T.F.E.
3	Ball	1	Chrome-plated brass CW617N
4	Stem	1	Brass CW614N
5	O-Ring	1	NBR
6	O-Ring	1	VITON®
7	Body	1	Nickel-plated brass CW617N
8	O-Ring	1	NBR
9	T handle	1	Aluminium
10	Screw	1	Zinc-plated steel Fe CB4

OVERALL DIMENSIONS



	1/2"	3/4"	1"
DN	15	20	25
A	76,5	83,5	93
B	32,5	42	49,5
C	44	50	53
D	54	62	62
E	15	20	25
F	15	16,3	19,1
CH	25	31	40
Kg/cm ² bar	50	40	40
LBS - psi	725	580	580

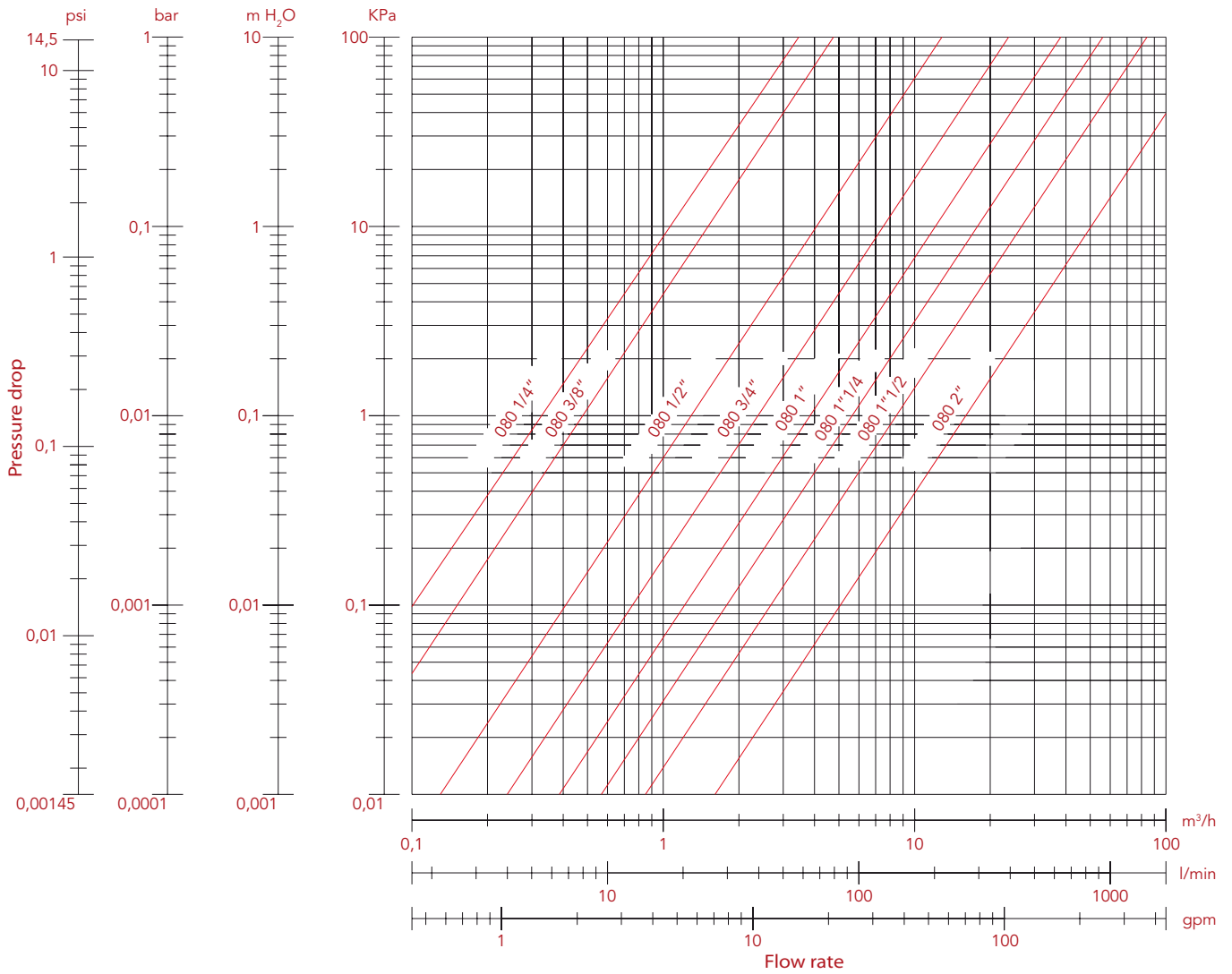
CERTIFICATIONS



FLOW RATE AND PRESSURE DROP CHART

WITH WATER

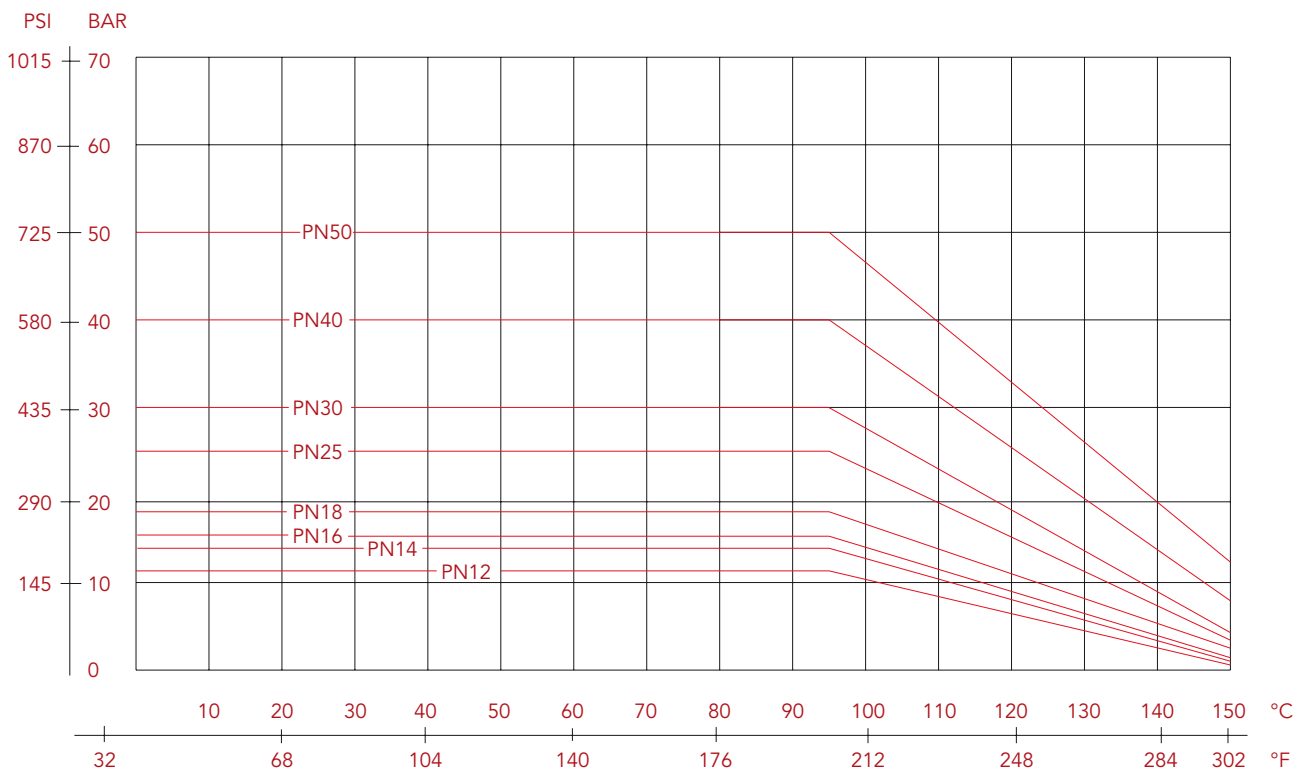
Art: 080 - 081 - 082 - 083



SIZE	1/4"	3/8"	1/2"	3/4"	1"	1 1/4"	1 1/2"	2"
Ø	10	10	15	20	25	32	40	50
Kv	3,47	4,78	12,98	23,92	38,57	56,81	85	159

PRESSURE-TEMPERATURE DIAGRAM

BALL VALVES



The values shown by the dropping lines state the maximum limit of employment of the valves.
The shown valves are approximate.