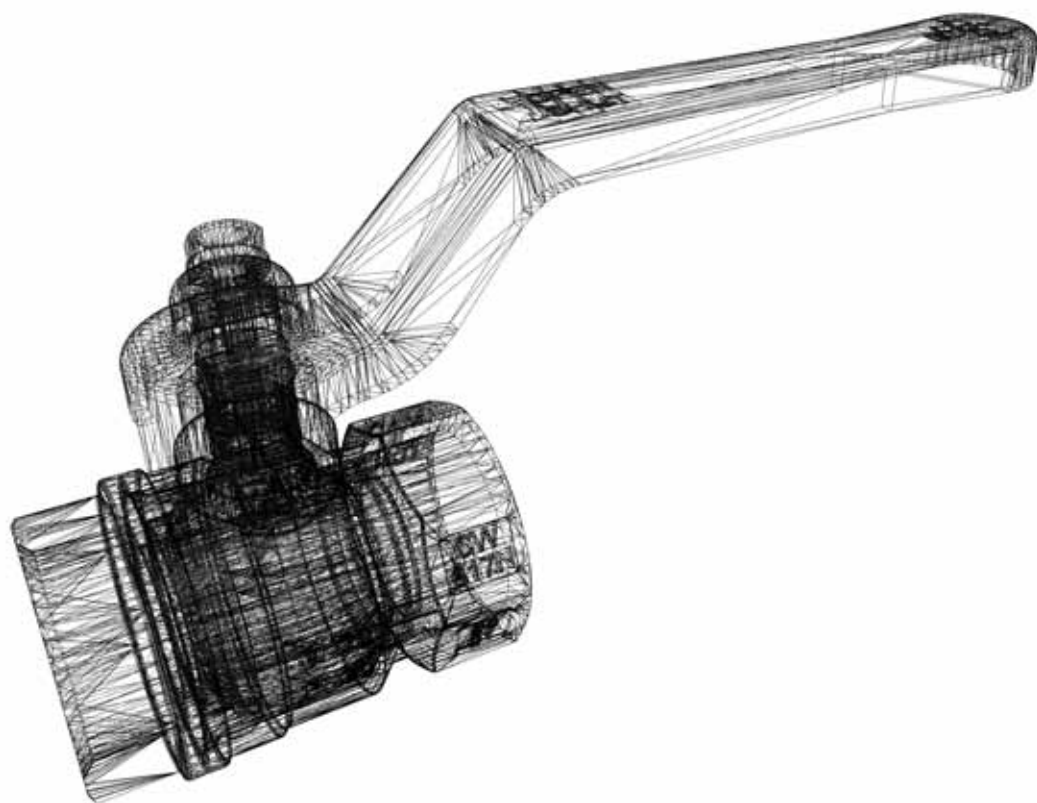


A-2512 TRIBUSWINKEL, WERKSGASSE 7

TELEFON: +43-(0) 2252 90 82 60 TELEFAX: +43-(0) 2252 90 82 61  
Internet: www.klepp.at e-mail: office@klepp.at

**klepp** & Co  
ARMATUREN Handels-GmbH



TECHNICAL CATALOGUE

---

BALL VALVES:  
VIENNA®

STANDARD FLOW  
BALL VALVES:  
VIENNA®

SUITABLE FOR DOMESTIC  
WATER SERVICES, HEATING, AIR-  
CONDITIONING PLANTS AND  
COMPRESSED AIR SYSTEMS.

BALL VALVES

# 116

## VIENNA® BALL VALVE, STANDARD FLOW



SIZE	PRESSURE	CODE	PACKING
1/4" (DN 8)	50bar/725psi	0900014/N	12/192
3/8" (DN 10)	50bar/725psi	0900038/N	12/192
1/2" (DN 15)	30bar/435psi	1160012	15/120
3/4" (DN 20)	30bar/435psi	1160034	8/104
1" (DN 25)	30bar/435psi	1160100	8/64
1"1/4 (DN 32)	25bar/362,5psi	1160114	4/32
1"1/2 (DN 40)	25bar/362,5psi	1160112	4/32
2" (DN 50)	25bar/362,5psi	1160200	2/16

### TECHNICAL SPECIFICATIONS

Female/female threads.

Lever handle in steel.

Body in nickel-plated brass.

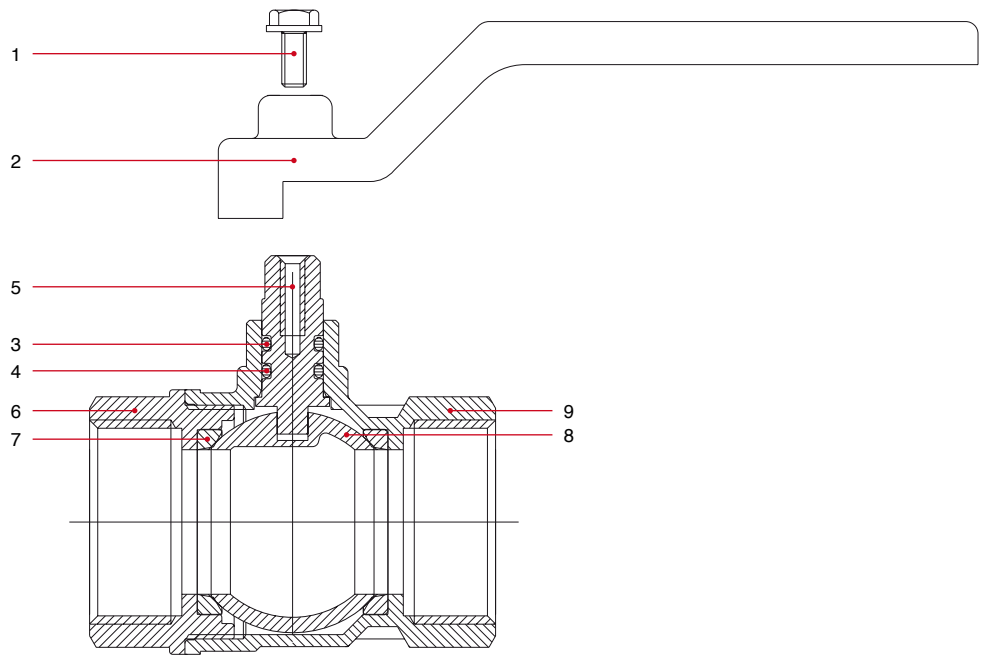
Minimum and maximum working temperatures:

-20°C, 150°C in absence of steam.

Threads ISO228

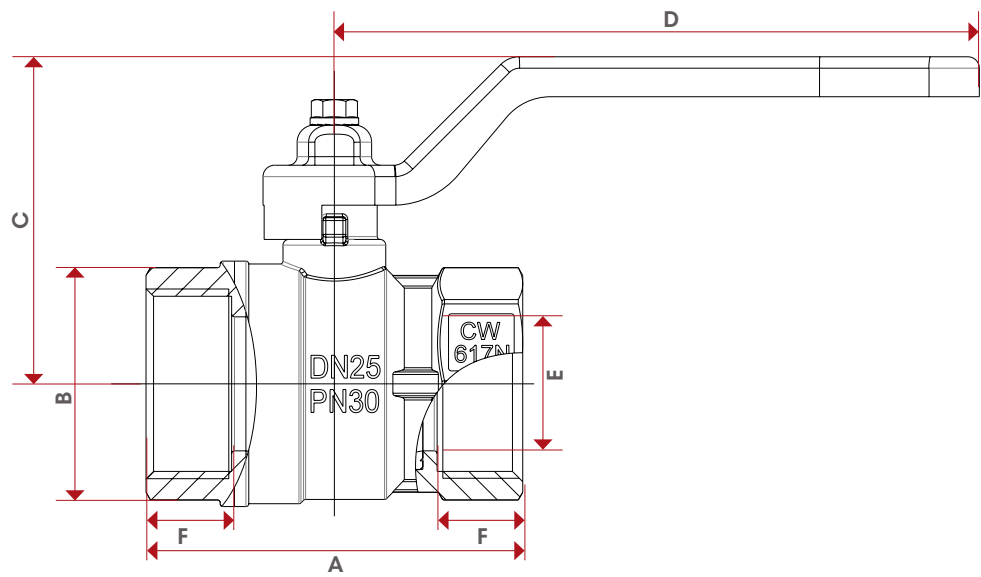
(equivalent to DIN EN ISO 228 and BS EN ISO 228).

### MATERIALS



POS.	DESCRIPTION	N.	MATERIAL
1	Screw	1	Zinc-plated steel Fe CB4
2	Lever handle	1	Zinc-plated and varnished steel Fe.P04
3	O-Ring	1	VITON®
4	O-Ring	1	NBR
5	Stem	1	Brass CW614N
6	End adapter	1	Nickel-plated brass CW617N
7	Seat	2	P.T.F.E.
8	Ball	1	Chrome-plated brass CW617N
9	Body	1	Nickel-plated brass CW617N

## OVERALL DIMENSIONS



	1/4"	3/8"	1/2"	3/4"	1"	1"1/4	1"1/2	2"
DN	8	10	15	20	25	32	40	50
A	44,4	44,4	48	53,5	66	76	88	103
B	23,5	24	29	36	43	53	63	79
C	37	37	40	54	57	73	78	94
D	80	80	80	113	113	138	138	158
E	10	10	14	18,5	23,5	30	37	47
F	10	10	12	12	15	16	18	19
Kg/cm <sup>2</sup> bar	50	50	30	30	30	25	25	25
LBS - psi	725	725	435	435	435	362,5	362,5	362,5

## CERTIFICATIONS



# 117

## VIENNA® BALL VALVE, STANDARD FLOW

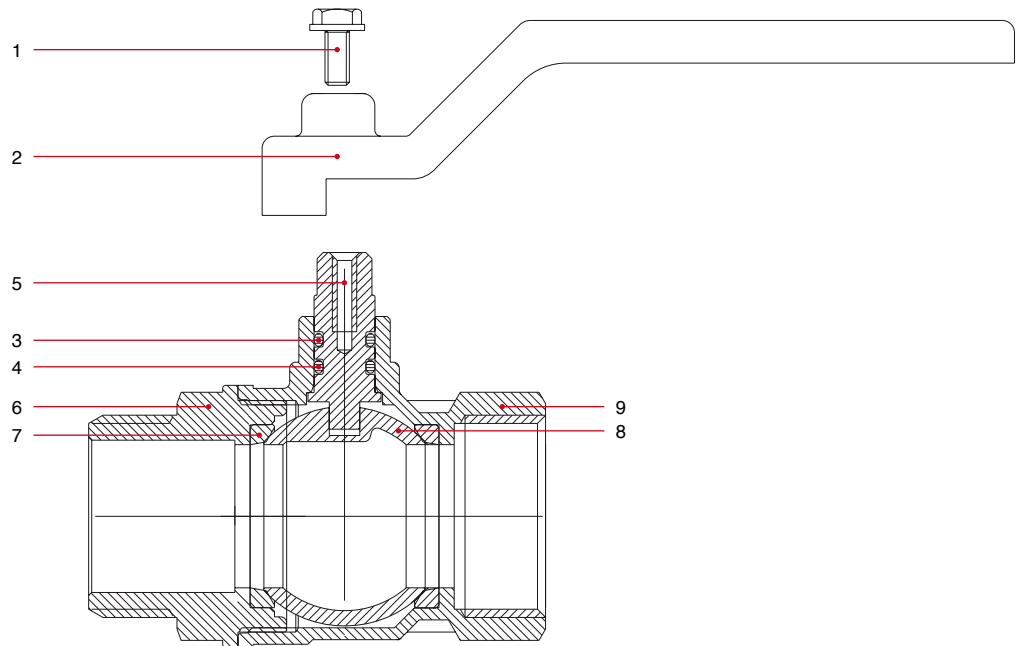


SIZE	PRESSURE	CODE	PACKING
1/4" (DN 8)	50bar/725psi	0910014/N	12/192
3/8" (DN 10)	50bar/725psi	0910038/N	12/192
1/2" (DN 15)	30bar/435psi	1170012	15/120
3/4" (DN 20)	30bar/435psi	1170034	8/64
1" (DN 25)	30bar/435psi	1170100	8/64
1"1/4 (DN 32)	25bar/362,5psi	1170114	4/32
1"1/2 (DN 40)	25bar/362,5psi	1170112	4/24
2" (DN 50)	25bar/362,5psi	1170200	2/12

### TECHNICAL SPECIFICATIONS

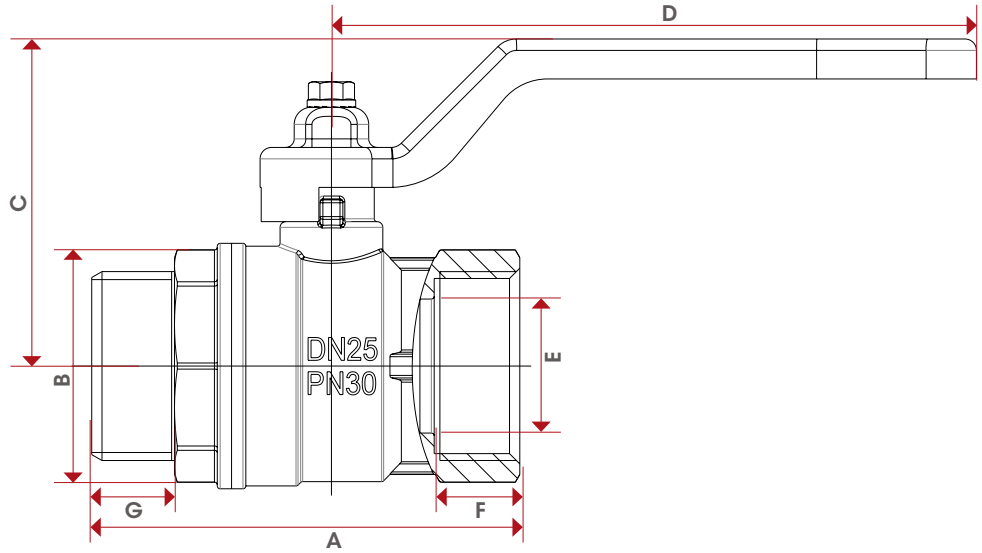
Male/female threads.  
Lever handle in steel.  
Body in nickel-plated brass.  
Minimum and maximum working temperatures:  
-20°C, 150°C in absence of steam.  
Threads ISO228  
(equivalent to DIN EN ISO 228 and BS EN ISO 228).

### MATERIALS



POS.	DESCRIPTION	N.	MATERIAL
1	Screw	1	Zinc-plated steel Fe CB4
2	Lever handle	1	Zinc-plated and varnished steel Fe.P04
3	O-Ring	1	VITON®
4	O-Ring	1	NBR
5	Stem	1	Brass CW614N
6	End adapter	1	Nickel-plated brass CW617N
7	Seat	2	P.T.F.E.
8	Ball	1	Chrome-plated brass CW617N
9	Body	1	Nickel-plated brass CW617N

OVERALL  
DIMENSIONS



	1/4"	3/8"	1/2"	3/4"	1"	1 1/4"	1 1/2"	2"
DN	8	10	15	20	25	32	40	50
A	54	54	58	62,5	75	87,5	100,5	115,5
B	23,5	24	29	36	43	53	63	79
C	37	37	40	54	57	73	78	94
D	80	80	80	113	113	138	138	158
E	8	10	14	18,5	23,5	30	37	47
F	10	10	12	12	15	16	18	19
G	10,5	10,5	11,5	12,5	14,5	17	19	21
Kg/cm <sup>2</sup> bar	50	50	30	30	30	25	25	25
LBS - psi	725	725	435	435	435	362,5	362,5	362,5

CERTIFICATIONS



VIENNA®

# 118

VIENNA® BALL VALVE,  
STANDARD FLOW



SIZE	PRESSURE	CODE	PACKING
1/4" (DN 8)	50bar/725psi	0920014/N	15/240
3/8" (DN 10)	50bar/725psi	0920038/N	15/240
1/2" (DN 15)	30bar/435psi	1180012	15/195
3/4" (DN 20)	30bar/435psi	1180034	8/88
1" (DN 25)	30bar/435psi	1180100	8/64

## TECHNICAL SPECIFICATIONS

Female/female threads.

T handle in aluminium.

Body in nickel-plated brass.

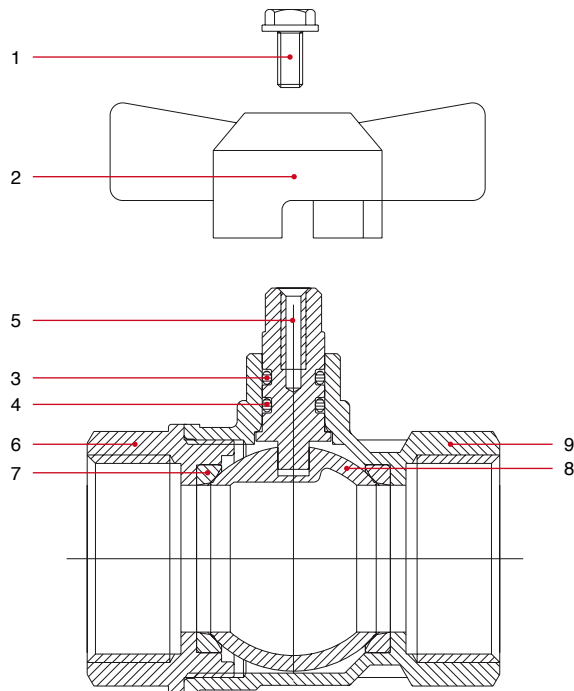
Minimum and maximum working temperatures:

-20°C, 150°C in absence of steam.

Threads ISO228

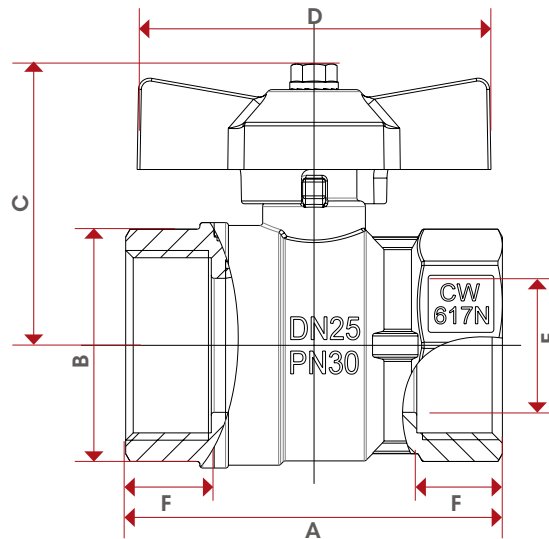
(equivalent to DIN EN ISO 228 and BS EN ISO 228).

## MATERIALS



POS.	DESCRIZIONE	Q.tà	MATERIALE
1	Screw	1	Zinc-plated steel Fe CB4
2	T handle	1	Aluminium
3	O-Ring	1	VITON®
4	O-Ring	1	NBR
5	Stem	1	Brass CW614N
6	End adapter	1	Nickel-plated brass CW617N
7	Seat	2	P.T.F.E.
8	Ball	1	Chrome-plated brass CW617N
9	Body	1	Nickel-plated brass CW617N

## OVERALL DIMENSIONS



	1/4"	3/8"	1/2"	3/4"	1"
DN	8	10	15	20	25
A	44,4	44,4	48	53,5	66
B	23,5	24	29	36	43
C	37	37	40	46	49
D	47	47	47	54	62
E	10	10	14	18,5	23,5
Kg/cm <sup>2</sup> bar	50	50	30	30	30
LBS - psi	725	725	435	435	435

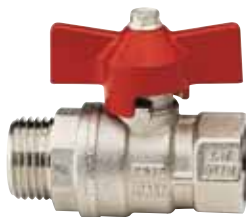
## CERTIFICATIONS





# 119

## VIENNA® BALL VALVE, STANDARD FLOW

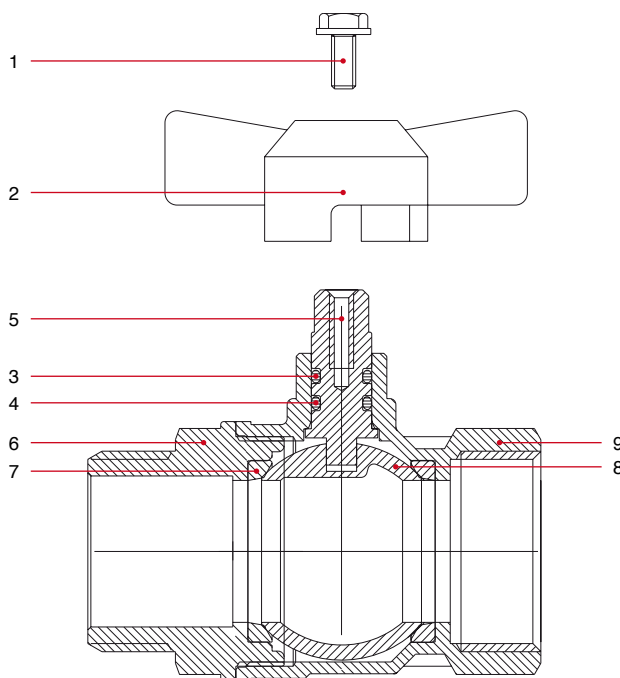


SIZE	PRESSURE	CODE	PACKING
1/4" (DN 8)	50bar/725psi	0930014/N	15/165
3/8" (DN 10)	50bar/725psi	0930038/N	15/165
1/2" (DN 15)	30bar/435psi	1190012	15/120
3/4" (DN 20)	30bar/435psi	1190034	8/88
1" (DN 25)	30bar/435psi	1190100	8/64

### TECHNICAL SPECIFICATIONS

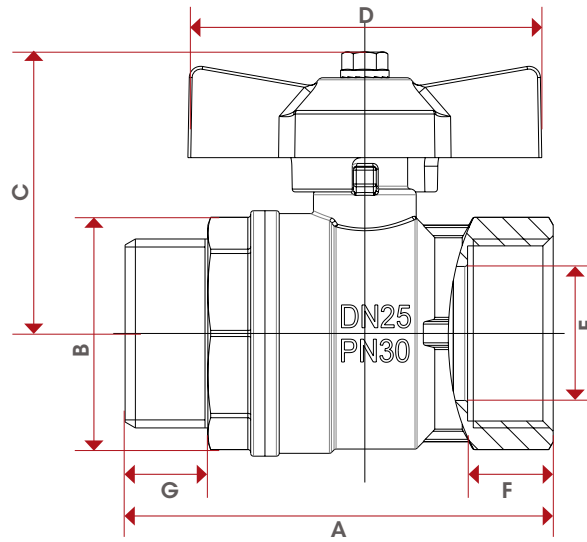
Male/female threads.  
T handle in aluminium.  
Body in nickel-plated brass.  
Minimum and maximum working temperatures:  
-20°C, 150°C in absence of steam.  
Threads ISO228  
(equivalent to DIN EN ISO 228 and BS EN ISO 228).

### MATERIALS



POS.	DESCRIZIONE	Q.tà	MATERIALE
1	Screw	1	Zinc-plated steel Fe CB4
2	T handle	1	Aluminium
3	O-Ring	1	VITON®
4	O-Ring	1	NBR
5	Stem	1	Brass CW614N
6	End adapter	1	Nickel-plated brass CW617N
7	Seat	2	P.T.F.E.
8	Ball	1	Chrome-plated brass CW617N
9	Body	1	Nickel-plated brass CW617N

## OVERALL DIMENSIONS



	1/4"	3/8"	1/2"	3/4"	1"
DN	8	10	15	20	25
A	54	54	58	62,5	75
B	23,5	24	29	36	43
C	37	37	40	46	49
D	47	47	47	54	62
E	8	10	14	18,5	23,5
F	10	10	12	12	15
G	10,5	10,5	11,5	12,5	14,5
Kg/cm <sup>2</sup> bar	50	50	30	30	30
LBS - psi	725	725	435	435	435

## CERTIFICATIONS



# 216

## VIENNA® BALL VALVE, STANDARD FLOW

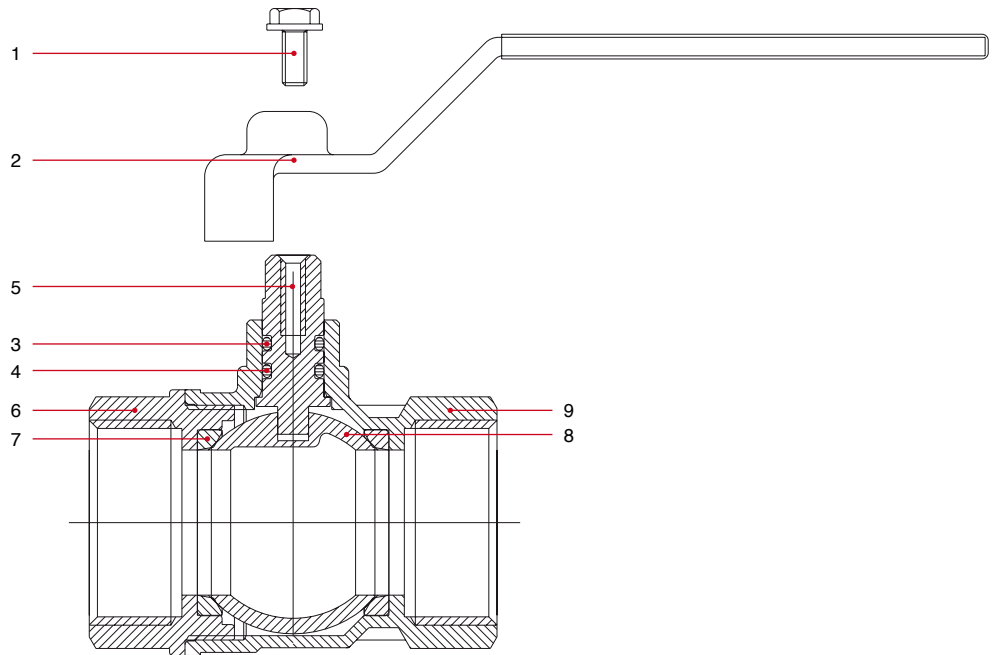


SIZE	PRESSURE	CODE	PACKING
1/4" (DN 8)	50bar/725psi	2160014	12/192
3/8" (DN 10)	50bar/725psi	2160038	12/192
1/2" (DN 15)	30bar/435psi	2160012	15/120
3/4" (DN 20)	30bar/435psi	2160034	8/64
1" (DN 25)	30bar/435psi	2160100	8/64
1"1/4 (DN 32)	25bar/362,5psi	2160114	4/32
1"1/2 (DN 40)	25bar/362,5psi	2160112	4/24
2" (DN 50)	25bar/362,5psi	2160200	2/18

### TECHNICAL SPECIFICATIONS

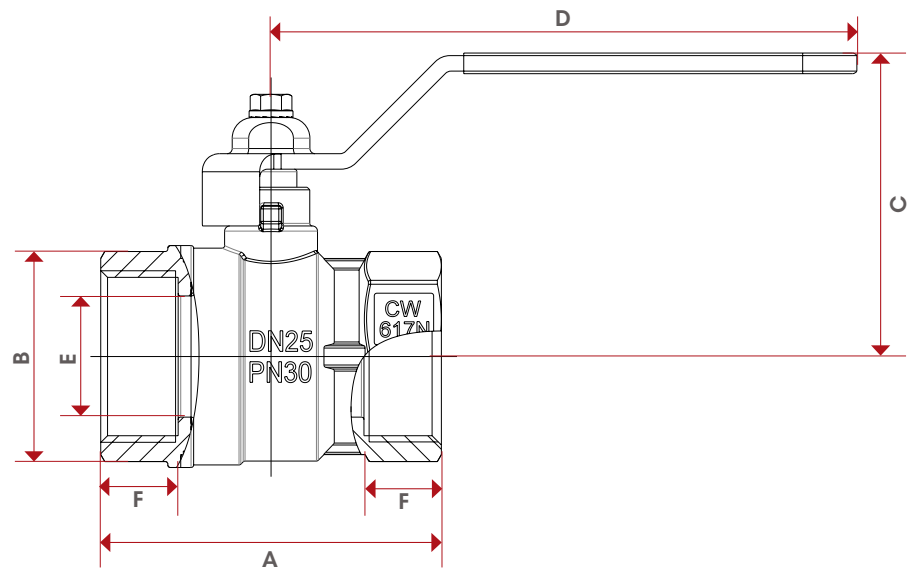
Female/female threads.  
Flat lever handle in lined steel.  
Body in nickel-plated brass.  
Minimum and maximum working temperatures:  
-20°C, 150°C in absence of steam.  
Threads ISO228  
(equivalent to DIN EN ISO 228 and BS EN ISO 228).

### MATERIALS



POS.	DESCRIZIONE	Q.tà	MATERIALE
1	Screw	1	Zinc-plated steel Fe CB4
2	Flat lever handle	1	Zinc-plated steel Fe.P04
3	O-Ring	1	VITON®
4	O-Ring	1	NBR
5	Stem	1	Brass CW614N
6	End adapter	1	Nickel-plated brass CW617N
7	Seat	2	P.T.F.E.
8	Ball	1	Chrome-plated brass CW617N
9	Body	1	Nickel-plated brass CW617N

## OVERALL DIMENSIONS



	1/4"	3/8"	1/2"	3/4"	1"	1"1/4	1"1/2	2"
DN	8	10	15	20	25	32	40	50
A	44,4	44,4	48	53	66	76	88	103
B	23,5	24	29	36	43	53	63	79
C	42	42	44	55	59	74	79	95
D	85,5	85,5	85,5	113,5	113,5	138	138	157,5
E	10	10	14	18,5	23,5	30	37	47
F	10	10	12	12	15	16	18	19
Kg/cm <sup>2</sup> bar	50	50	30	30	30	25	25	25
LBS - psi	725	725	435	435	435	362,5	362,5	362,5

## CERTIFICATIONS



# 217

## VIENNA® BALL VALVE, STANDARD FLOW

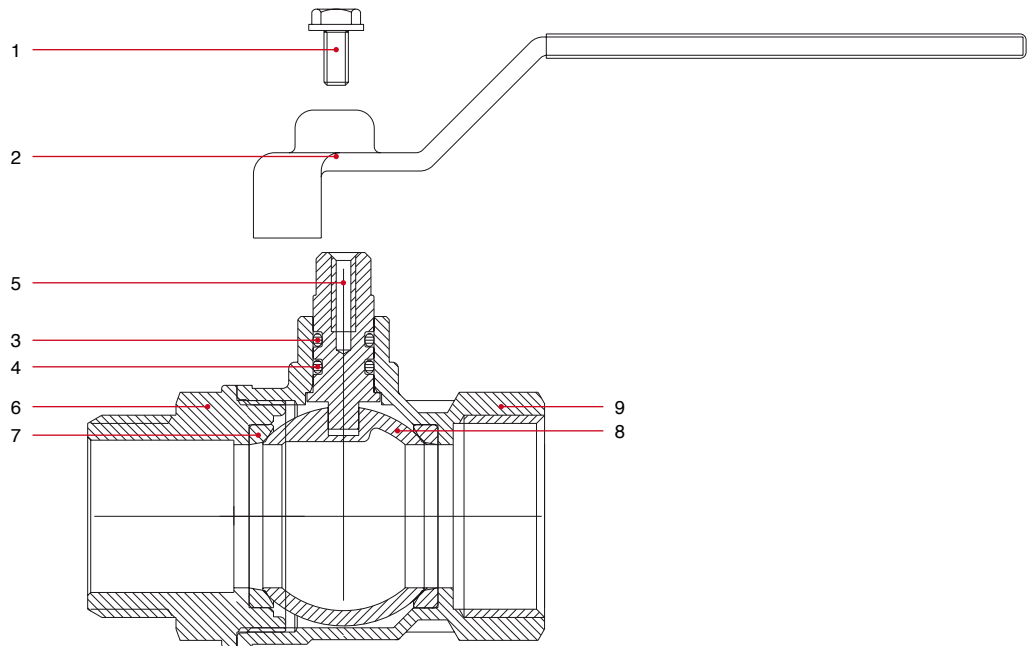


SIZE	PRESSURE	CODE	PACKING
1/4" (DN 8)	50bar/725psi	2170014	12/156
3/8" (DN 10)	50bar/725psi	2170038	12/156
1/2" (DN 15)	30bar/435psi	2170012	15/120
3/4" (DN 20)	30bar/435psi	2170034	8/64
1" (DN 25)	30bar/435psi	2170100	8/64
1"1/4 (DN 32)	25bar/362,5psi	2170114	4/32
1"1/2 (DN 40)	25bar/362,5psi	2170112	4/28
2" (DN 50)	25bar/362,5psi	2170200	2/12

### TECHNICAL SPECIFICATIONS

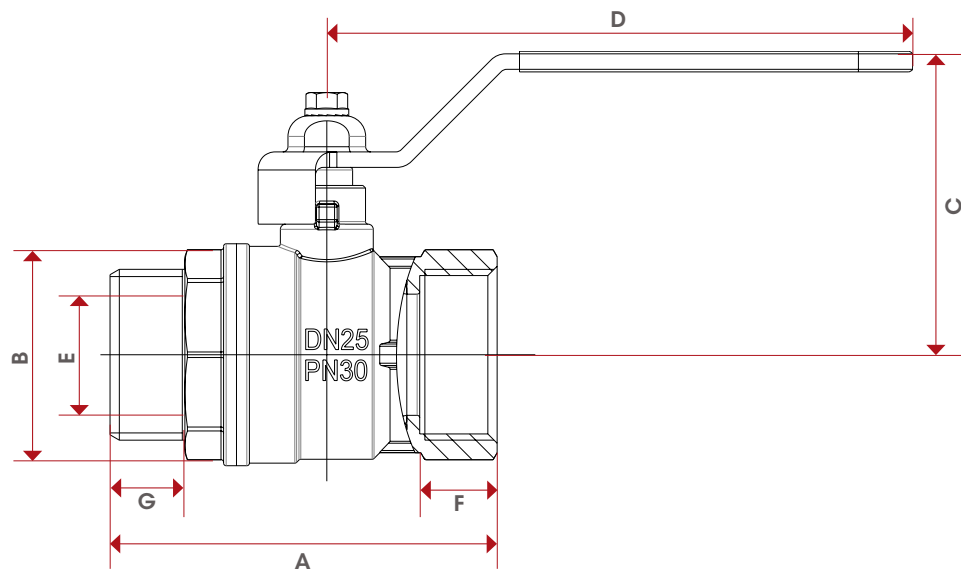
Male/female threads.  
Flat lever handle in lined steel.  
Body in nickel-plated brass.  
Minimum and maximum working temperatures:  
-20°C, 150°C in absence of steam.  
Threads ISO228  
(equivalent to DIN EN ISO 228 and BS EN ISO 228).

### MATERIALS



POS.	DESCRIZIONE	Q.tà	MATERIALE
1	Screw	1	Zinc-plated steel Fe CB4
2	Flat lever handle	1	Zinc-plated steel Fe.P04
3	O-Ring	1	VITON®
4	O-Ring	1	NBR
5	Stem	1	Brass CW614N
6	End adapter	1	Nickel-plated brass CW617N
7	Seat	2	P.T.F.E.
8	Ball	1	Chrome-plated brass CW617N
9	Body	1	Nickel-plated brass CW617N

## OVERALL DIMENSIONS



	1/4"	3/8"	1/2"	3/4"	1"	1"1/4	1"1/2	2"
DN	8	10	15	20	25	32	40	50
A	54	54	58	62,5	75	87,5	100,5	115,5
B	23,5	24	29	36	43	53	63	79
C	42	42	44	55	59	74	79	95
D	85,5	85,5	85,5	113,5	113,5	138	138	157,5
E	8	10	14	18,5	23,5	30	37	47
F	10	10	12	12	15	16	18	19
G	10,5	10,5	11,5	12,5	14,5	17	19	21
Kg/cm <sup>2</sup> bar	50	50	30	30	30	25	25	25
LBS - psi	725	725	435	435	435	362,5	362,5	362,5

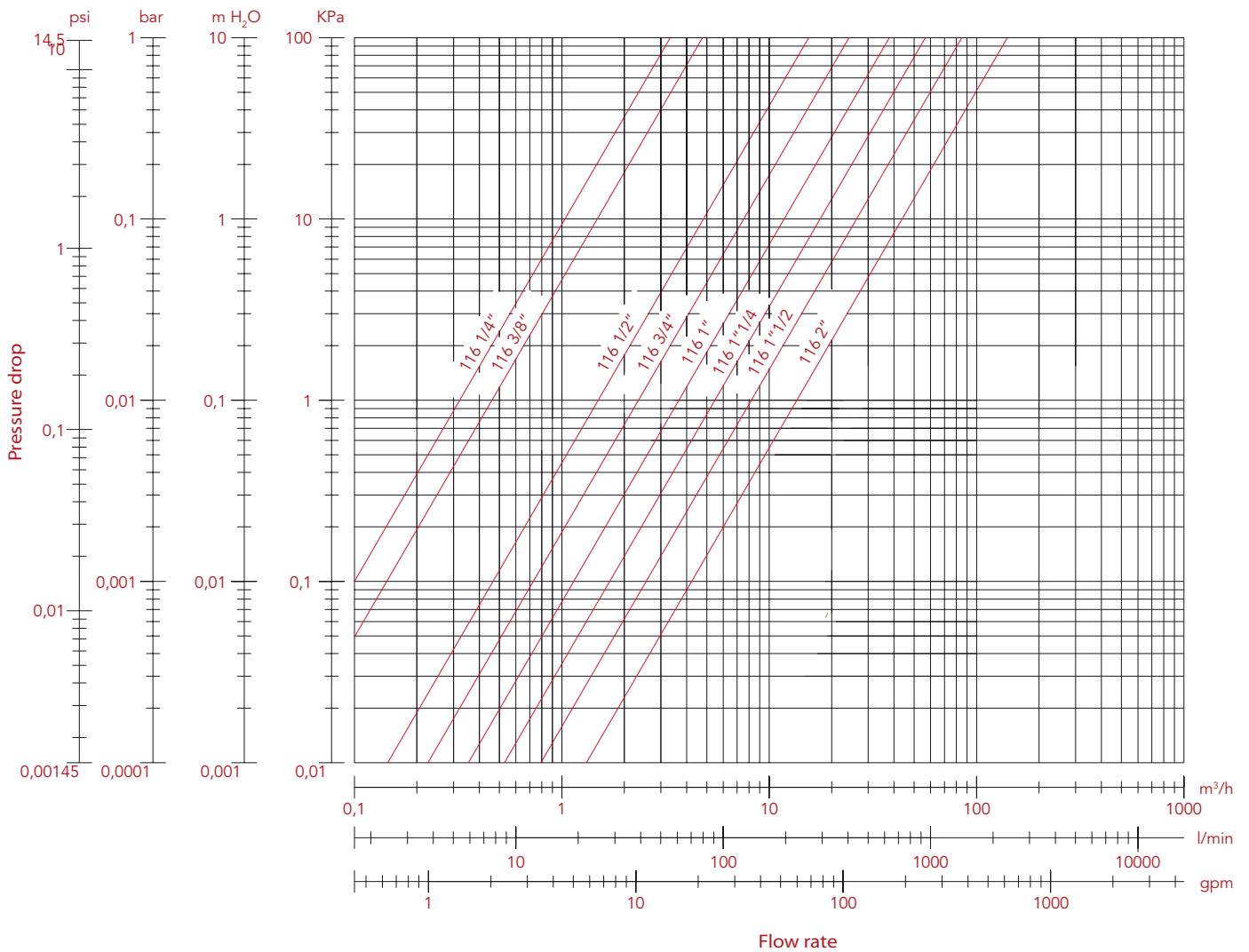
## CERTIFICATIONS



# FLOW RATE AND PRESSURE DROP CHART

## WITH WATER

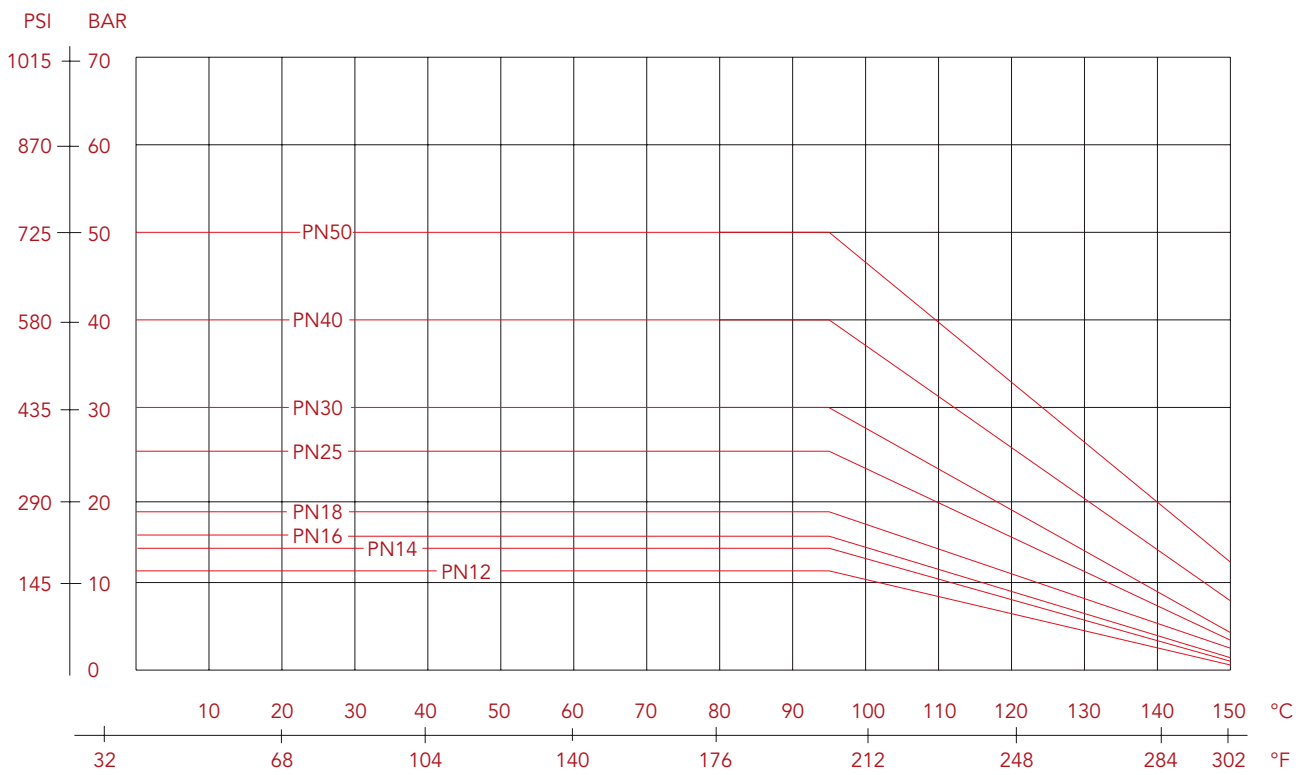
Art: 116 - 117 - 118 - 119 - 216 - 217



SIZE	1/4"	3/8"	1/2"	3/4"	1"	1 1/4"	1 1/2"	2"
Ø	10	10	14	18,5	23,5	30	37	47
Kv	3,33	4,92	14,65	23,46	38,67	56,07	86,60	160,25

# PRESSURE-TEMPERATURE DIAGRAM

## BALL VALVES



The values shown by the dropping lines state the maximum limit of employment of the valves.  
The shown valves are approximate.