

GA695 Wasserbox mit Gartenventil



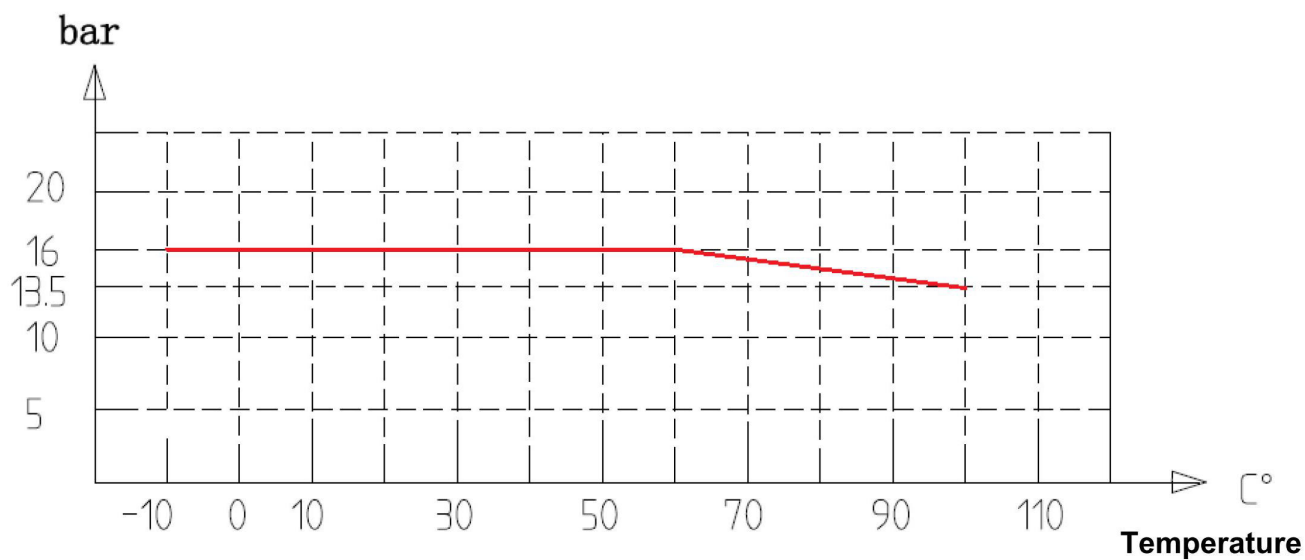
TECHNISCHE DATEN

Temp.: -10°C – 100°C

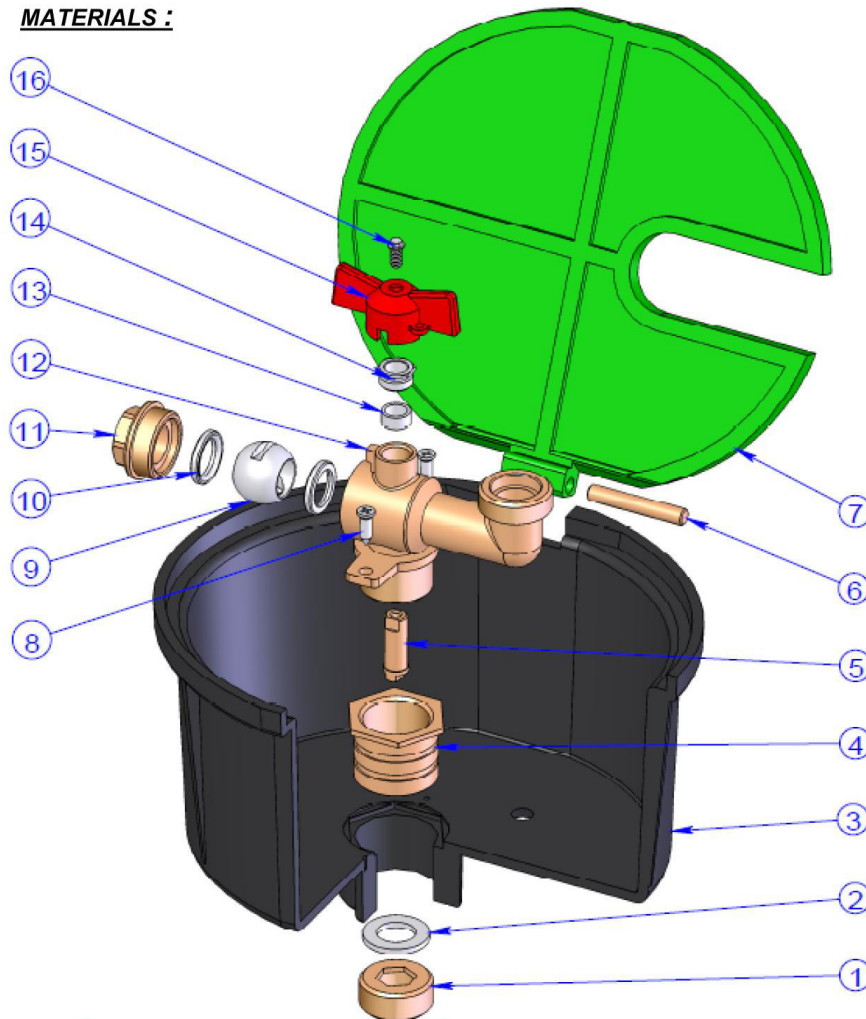
Druck: 16bar

Lieferbar in 3/4" und 1"

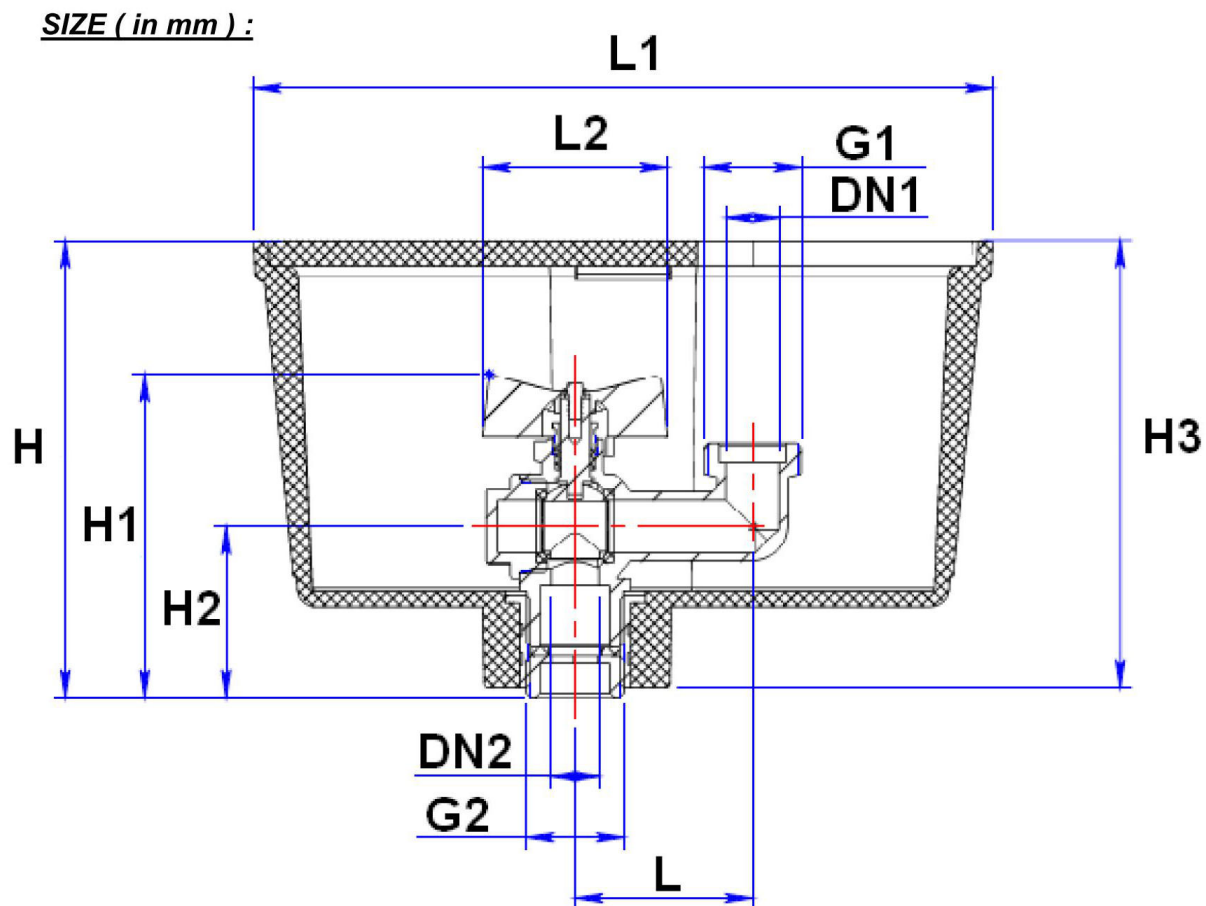
Druck - Temperatur



MATERIALS :



Item	Designation	Materials
1	Reduced nipple M 3/4"- F1/2"	Brass
2	Gasket	NBR
3	Box	PP RAL 9017
4	Take-over	Brass
5	Stem	Brass
6	Pin	Brass
7	Plastic box cover	PP RAL 6002
8	Screw	Q235
9	Ball	Brass
10	Seat	PTFE
11	Ends	Brass
12	Valve body	Brass
13	Packing	PTFE
14	Packing nut	Brass
15	Butterfly handle	Aluminium
16	Screw	Q235



DN	15	20
G1	3/4"	1"
G2	3/4" (+ 1/2")	3/4"
Ø DN1	14.5	18
Ø DN2	13	13
H	123.7	123.7
H1	87.4	90
H2	46.2	46.2
H3	121	121
L	48	49
Ø L1	200	200
L2	50	50
Weight (Kg)	0.76	0.78